

**PLUMBING FIXTURE SCHEDULE**

(EDF-1) ELECTRIC DRINKING FOUNTAIN - A.D.A. COMPLIANT  
 HALSEY TAYLOR O.V.-II-SER-0 BARRIER-FREE BILEVEL COOLER, MEETING A.D.A. WALL MOUNTED ALL STAINLESS STEEL, ELECTRIC WATER COOLER, COOLING CAPACITY TO BE 8.0 GALLONS PER HOUR FROM 80 DEGREE F. INLET WATER TEMPERATURE TO 50 DEGREE F. OUTLET WATER TEMPERATURE IN 90 DEGREE F. AMBIENT. 1/5 H.P. COMPRESSOR, 115 VOLT, 60 HZ. MOUNT AT HEIGHT REQUIRED FOR HANDICAPPED AND NON HANDICAPPED. R134A REFRIGERANT.

(L-1) LAVATORY (A.D.A. COMPLIANT)  
 WALL MOUNTED WHITE VITREOUS CHINA, AMERICAN STANDARD 2000.100 CENTERSET SINGLE CONTROL FAUCET CHROME PLATED BRASS SPOUT, 1/4 TURN CARTRIDGES. MCGUIRE 8872. 17 GA. LOOSE KEY STOPS WITH RISERS, ADJUSTABLE FLOOR MOUNTED CARRIER. PROVIDE 0059.020 VITREOUS CHINA SHROUD/KNEE GUARD. AMERICAN STANDARD "MURRO" 0955.000.

(MS-1) MOP SINK  
 CRANE/FIAT FLOOR MOUNTED CORNER UNIT MODEL T5BC-1610 24" X 24" X 12" HIGH RECEPTOR WITH 6" DROP FRONT COMPOSED OF PRECAST TERRAZZO WITH STAINLESS STEEL THRESHOLD CAP. CHICAGO FAUCET NO. 897-VPH-RCF. INTEGRAL STOPS. 4-ARM BRASS HANDLE. PAIL HOOK. TOP BRACE WITH WALL FLANGE. VACUUM BREAKER, ROUGH CHROME PLATED.

(SH-1) SHOWER, HANDICAPPED TYPE  
 SHOWER BASE INSTALLED PER ARCHITECTURAL DRAWINGS, PLUMBING CONTRACTOR SHALL FURNISH AND INSTALL CHICAGO FAUCET NO. 2500 VCC-778-9K-151 COMBINATION THERMOSTATIC AND PRESSURE BALANCE SHOWER VALVE WITH INTEGRAL STOPS, VACUUM BREAKER, HAND HELD SHOWER WITH 60" FLEXIBLE METAL CLAD HOSE WITH 24" SLIDE BAR. PROVIDE SHOWER DRAIN, JAY R. SMITH 2005-A, 5" DIAMETER NICKEL BRONZE TOP.

(SK-1) SINK  
 ELKAY LR4D-2922-65-3, DOUBLE COMPARTMENT WITH FAUCET DECK, MODIFIED DEPTH MEETING A.D.A., NOMINAL OVERALL SIZE 29" X 22" X 6-1/2" DEEP. 18 GAUGE TYPE 304 STAINLESS STEEL, SELF-RIMMING, FULLY COATED ON UNDERSIDE FOR SOUNDPROOFING. CHICAGO FAUCET NO. 1100-HAB-317 CHROME PLATED BRASS SWIVEL TYPE HIGH RISE DOUBLE BEND SPOUT, 1/4 TURN CARTRIDGES, BRASS 4" WRIST BLADE HANDLES, ELKAY NO. LK-18 CHROME PLATED BRASS PERFORATED GRID STRAINER DRAIN OUTLETS WITH TAILPIECES. ELKAY NO. 53 CONTINUOUS WASTE, MCGUIRE 8912, 17 GA. P-TRAP, CHICAGO NO. 1006 LOOSE KEY SUPPLIES WITH RISERS AND ESCUTCHEON.

(SK-2) SINK  
 ELKAY LR4D-1722-65-3 SINGLE COMPARTMENT WITH FAUCET DECK, MODIFIED DEPTH MEETING A.D.A., NOMINAL OVERALL SIZE 17" X 22" X 6-1/2" DEEP. 18 GAUGE TYPE 302 STAINLESS STEEL, SELF-RIMMING, FULLY COATED ON UNDERSIDE FOR SOUNDPROOFING. CHICAGO FAUCET NO. 201A-GNBAE3-317 CHROME PLATED BRASS SWIVEL TYPE GOOSENECK SPOUT, 1/4 TURN CARTRIDGES, BRASS 4" WRIST BLADE HANDLES, ELKAY NO. LK-18 CHROME PLATED BRASS PERFORATED GRID STRAINER DRAIN OUTLETS WITH TAILPIECES. MCGUIRE 8912, 17GA. P-TRAP, CHICAGO NO. 1006 LOOSE KEY SUPPLIES WITH RISERS AND ESCUTCHEON. INSULATE DRAIN TAILPIECE, P-TRAP AND SUPPLIES WITH TRUBERO "HAND-LAY-GUARD", MCGUIRE "PROWRAP" OR BROCCAT "TRAP WRAP". PROVIDE SLOUX CHIEF DISHWASHER TAILPIECE FITTING FOR DISHWASHER DRAIN CONNECTION.

(U-1) URINAL (A.D.A. COMPLIANT)  
 WALL MOUNTED WHITE VITREOUS CHINA, ELONGATED FRONT RIM, MINIMUM 14" FROM WALL. SIPHON JET, 3/4" TOP SPUD. LOW WATER CONSUMPTION, ONE GALLON PER FLUSH, SLOAN ROYAL 186-1 FLUSH VALVE. MOUNT RIM MAXIMUM 17" ABOVE FLOOR.

- A. AMERICAN STANDARD "WASHBROOK" 6501.010
- B. CRANE "MANHATTAN" 7-209
- C. ELJER "DOVER" 161-1150
- D. KOHLER "DEXTER LITE" K-5016-T

(WC-1) WATER CLOSET (A.D.A. COMPLIANT)  
 WALL MOUNTED WHITE VITREOUS CHINA ELONGATED BOWL, 1.6 GALLON PER FLUSH. SLOAN ROYAL NO. 111 FLUSH VALVE. CHURCH NO. 9500C WHITE OPEN FRONT SEAT LESS COVER. ADJUSTABLE CHAIR CARRIER. MOUNT FIXTURE WITH TOP OF SEAT MAXIMUM 19" ABOVE FLOOR. FLUSH VALVE SHALL BE ROUGHED-IN TO PROVIDE FLUSH HANDLE ON ACCESS SIDE OF TOILET, NO MORE THAN 44" ABOVE FINISHED FLOOR.

- A. AMERICAN STANDARD "AFWALL" 2257.103
- B. CRANE "PLACIDUS" 3-446E
- C. ELJER "AUBURN" 111-1505
- D. KOHLER "KINGSTON LITE" K-4330

(WC-2) WATER CLOSET  
 WALL MOUNTED WHITE VITREOUS CHINA ELONGATED BOWL, 1.6 GALLON PER FLUSH. SLOAN ROYAL NO. 111 FLUSH VALVE. CHURCH NO. 9500C WHITE OPEN FRONT SEAT LESS COVER. ADJUSTABLE CHAIR CARRIER.

- A. AMERICAN STANDARD "AFWALL" 2257.103
- B. CRANE "PLACIDUS" 3-446E
- C. ELJER "AUBURN" 111-1505
- D. KOHLER "KINGSTON LITE" K-4330

FIXTURES MANUFACTURED BY AMERICAN STANDARD, CRANE, ELJER AND KOHLER ARE ACCEPTABLE. FIXTURE MANUFACTURERS SHALL NOT BE MIXED, EXCEPT WHERE SPECIFICALLY NOTED. ALL FIXTURES SHALL BE PROVIDED BY ONE MANUFACTURER.

SINKS MANUFACTURED BY ELKAY AND JUST ARE ACCEPTABLE. SINK MANUFACTURERS SHALL NOT BE MIXED, ALL SINKS SHALL BE PROVIDED BY ONE MANUFACTURER.

TOILET SEATS MANUFACTURED BY BENEKE AND CHURCH ARE ACCEPTABLE. SEAT MANUFACTURERS SHALL NOT BE MIXED, ALL TOILET SEATS SHALL BE PROVIDED BY ONE MANUFACTURER.

REFER TO MANUFACTURERS RECOMMENDATIONS OF SENSOR OPERATED FLUSH VALVES FOR QUANTITY OF TRANSFORMERS REQUIRED. REFER TO MANUFACTURERS RECOMMENDATIONS FOR CRITICAL POSITIONING OF ELECTRICAL BOX AND SENSOR LOCATION.

FAUCETS MANUFACTURED BY CHICAGO, SPEAKMAN AND SYMONS ARE ACCEPTABLE. FAUCET MANUFACTURERS SHALL NOT BE MIXED, ALL FAUCETS SHALL BE PROVIDED BY ONE MANUFACTURER.

ELECTRIC DRINKING FOUNTAINS MANUFACTURED BY FILTRINE, HALSEY TAYLOR, SUNROC, ELKAY AND OASIS ARE ACCEPTABLE PROVIDING THEY MEET THE A.D.A. REQUIREMENTS AND FIT THE ALLOCATED SPACE. DRINKING FOUNTAIN MANUFACTURERS SHALL NOT BE MIXED, ALL DRINKING FOUNTAINS SHALL BE PROVIDED BY ONE MANUFACTURER.

PLUMBING FIXTURES DESIGNATED FOR HANDICAPPED USE SHALL MEET A.D.A. REQUIREMENTS REGARDING MOUNTING HEIGHTS, LOCATION, ACCESSORIES AND OPERATING PRESSURE.

REFER TO ARCHITECTURAL DRAWINGS FOR FIXTURE MOUNTING HEIGHTS FOR STUDENT AND STAFF FIXTURES.

**CLEANOUTS**

(FCO) FLOOR CLEANOUT: JAY R. SMITH 4020 CAST IRON BODY WITH ROUND ADJUSTABLE NICKEL BRONZE COVER, GASKET SEAL, ABS PLUG AND WITH CARPET MARKER WHERE REQUIRED.

(WCO) WALL CLEANOUT: JAY R. SMITH 4422 CAST IRON FERRULE WITH LEAD SEAL, CAST IRON PLUG AND ROUND STAINLESS STEEL COVER PLATE WITH CENTER SECURING SCREW.

(COTG) CLEANOUT TO GRADE: JAY R. SMITH 4220 CAST IRON BODY WITH GASKET SEAL, ABS PLUG AND HEAVY DUTY CAST IRON SCORATED COVER.

**WALL HYDRANTS AND HOSE BIBBS**

(WH-1) WALL HYDRANT, FREEZE-PROOF: JAY R. SMITH 5509-OT ALL BRONZE NICKEL PLATED HYDRANT WITH INTEGRAL VACUUM BREAKER AND STAINLESS STEEL BOX WITH FULL 180 DEGREE DOOR OPENING.

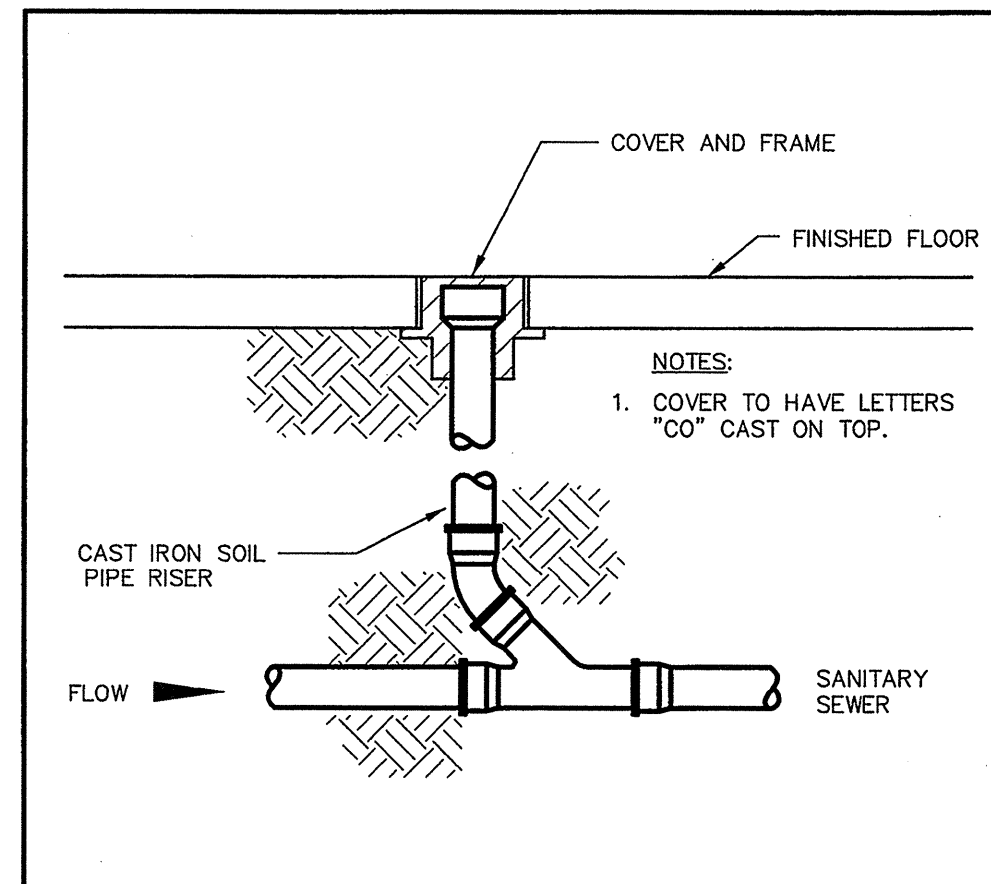
**FLOOR DRAINS, ROOF DRAINS**

(FD-1) FLOOR DRAIN, GENERAL USE, FINISHED AREAS: JAY R. SMITH 2005-ABNB-P-U CAST IRON BODY WITH 6" DIAMETER NICKEL BRONZE STRAINER, TRAP PRIMER CONNECTION AND VANDAL RESISTANT SCREWS.

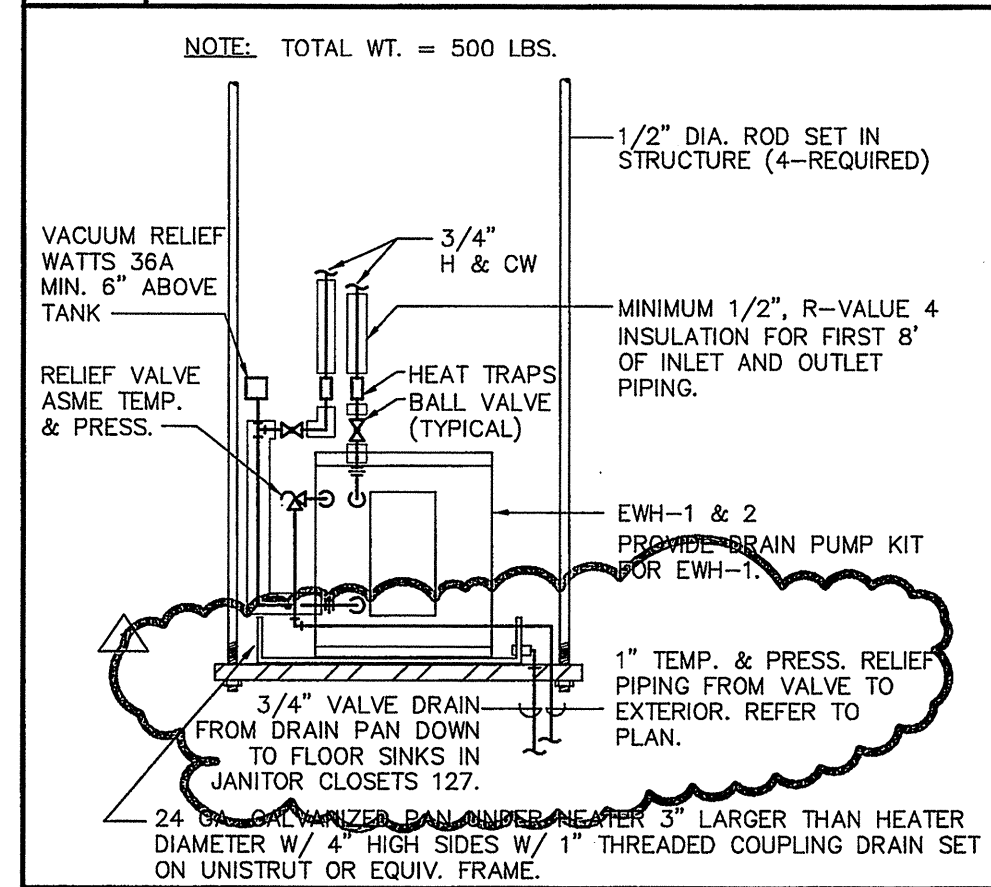
(FS-1) FLOOR SINK, ABOVE-GRADE INSTALLATION: JAY R. SMITH 3100-12 CAST IRON BODY WITH ACID RESISTANT COATED INTERIOR, ALUMINUM DOME BOTTOM STRAINER, LESS FLASHING FLANGE AND 8-1/2" SQUARE NICKEL BRONZE RIM AND 1/2" TOP GRATE.

**TRAP PRIMERS**

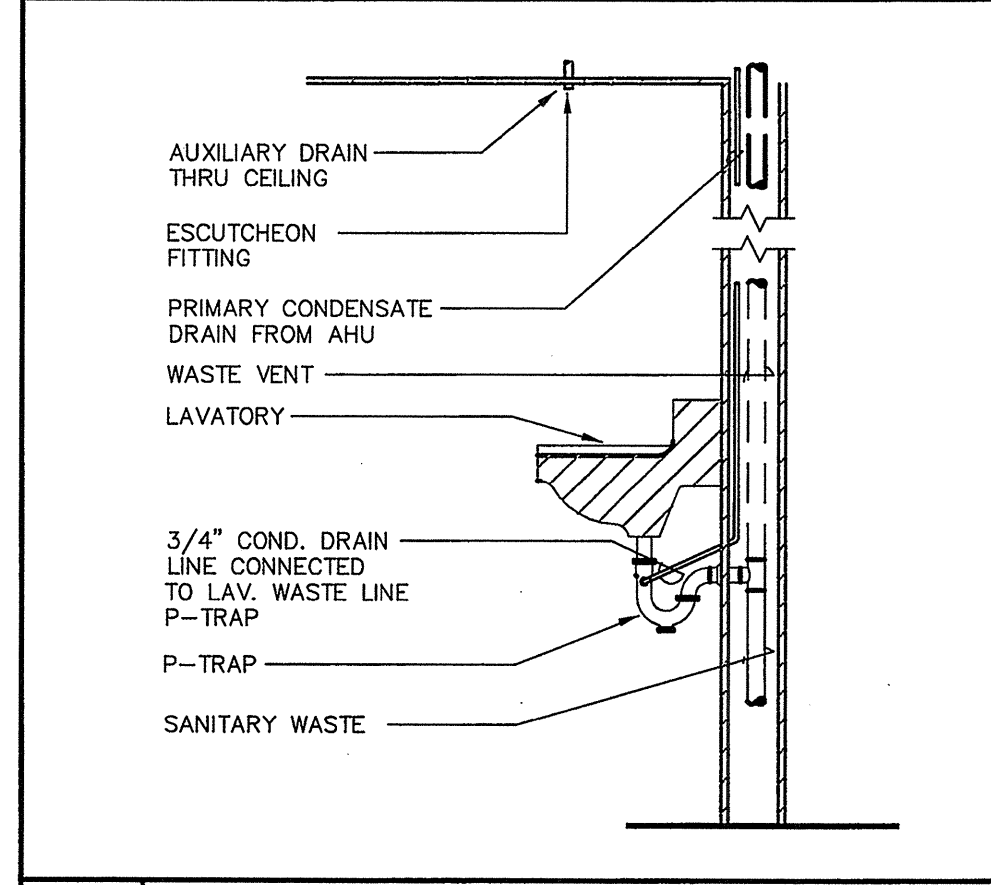
(TP-1) JAY R. SMITH 2699.



**07 FLOOR CLEAN OUT DETAIL**  
 NTS



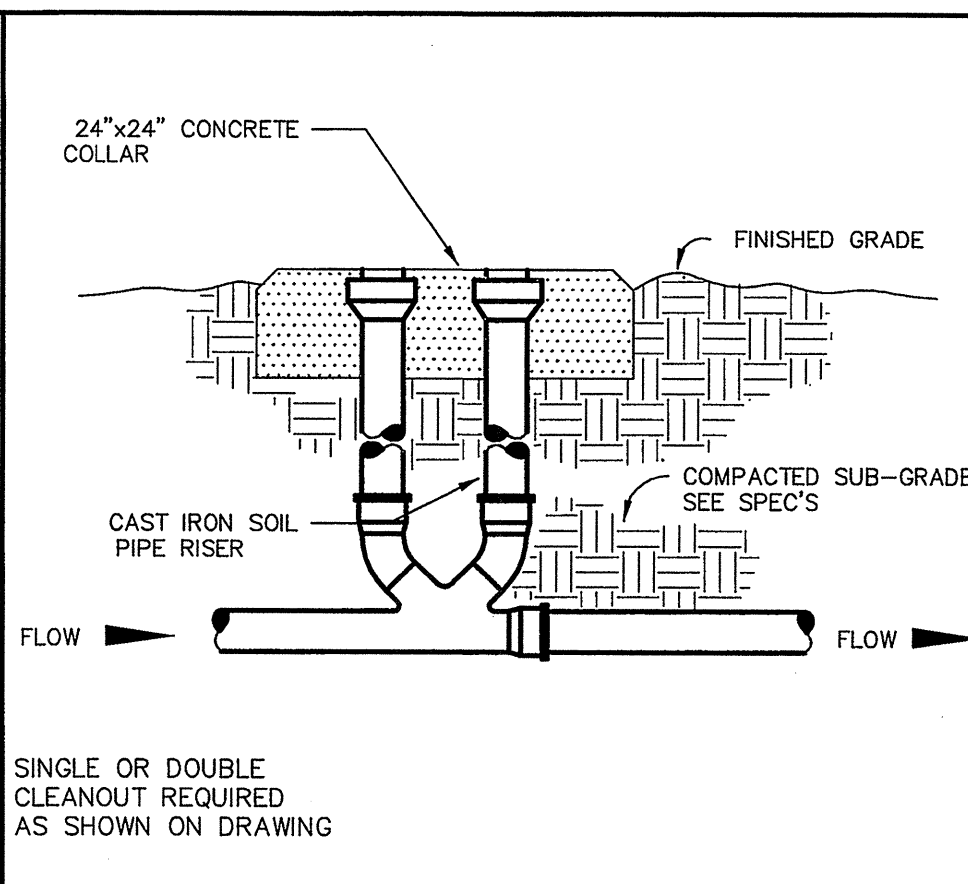
**08 ELECTRIC WATER HEATER(SUSPENDED)**  
 NTS



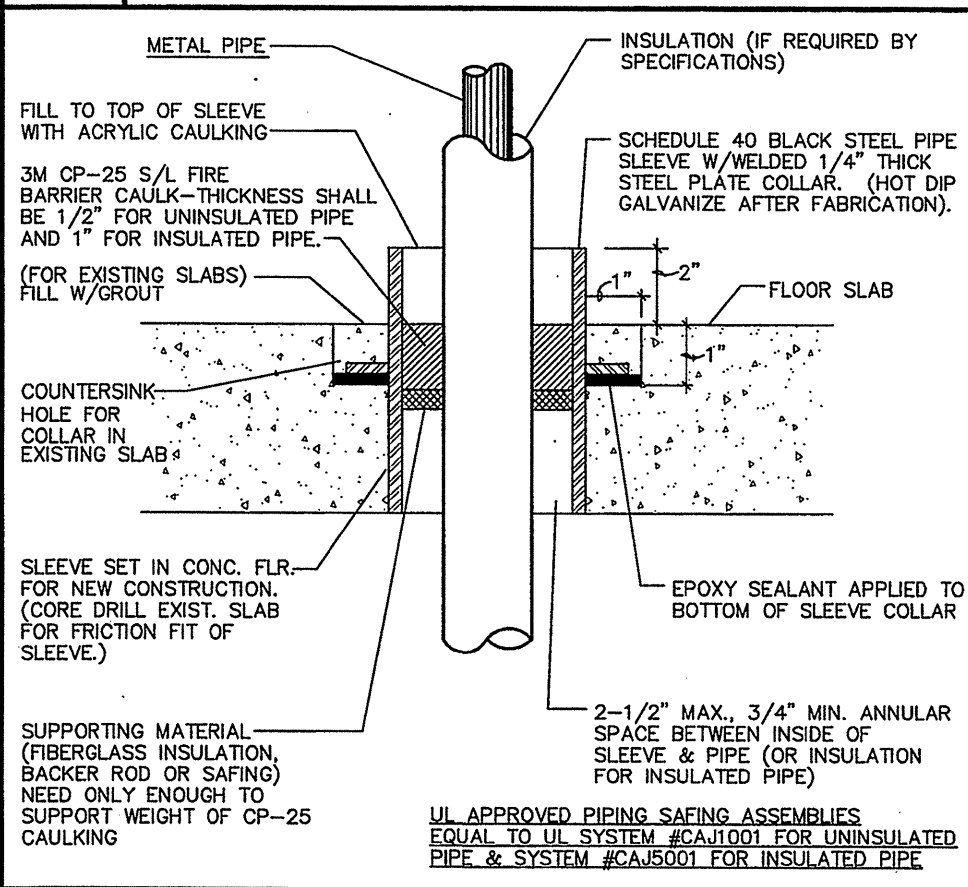
**09 CONDENSATE DRAIN**  
 NTS

**ELECTRIC WATER HEATER SCHEDULE**

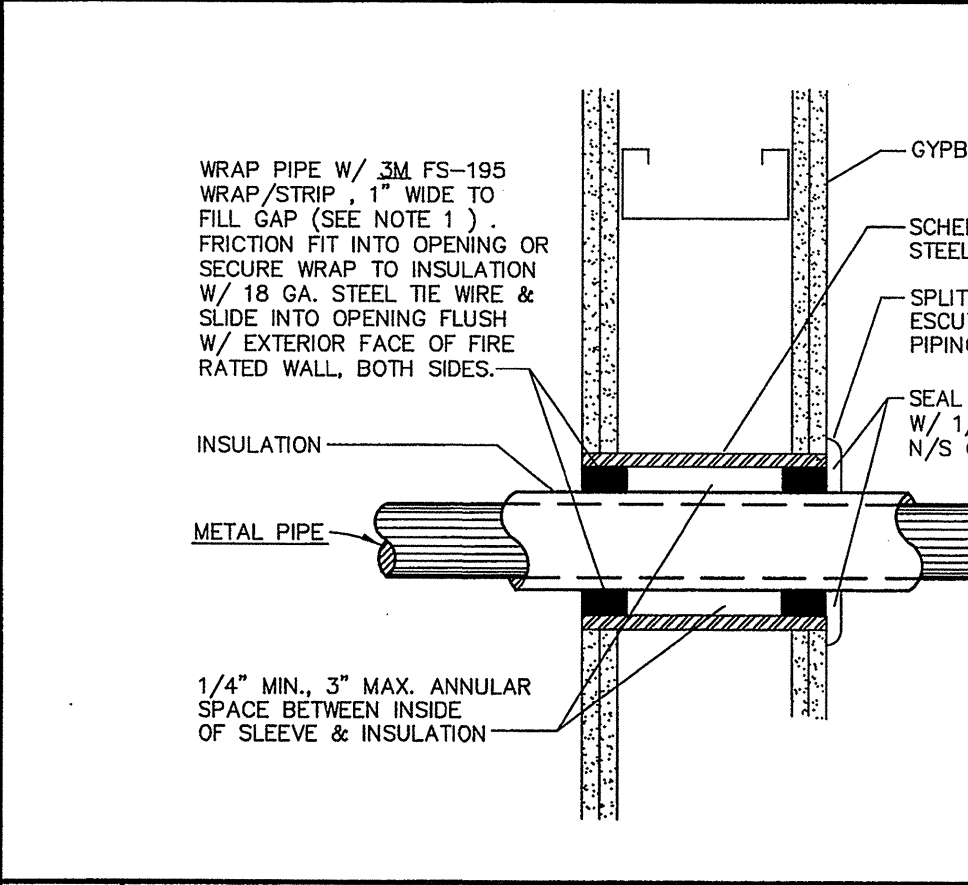
MARK	LOCATION	STORAGE GALLONS	RECOVERY GPH AT 80° F. RISE	ELECTRICAL			MANUFACTURER AND MODEL
				KW	VOLTS	HZ. PH.	
EWH-1	STAFF SH. 110	40	45	4(2)	277	60 1	A.O. SMITH DEL-40
EWH-2	Janitors Closet 127	20	13	2.5	277	60 1	A.O. SMITH DEL-20



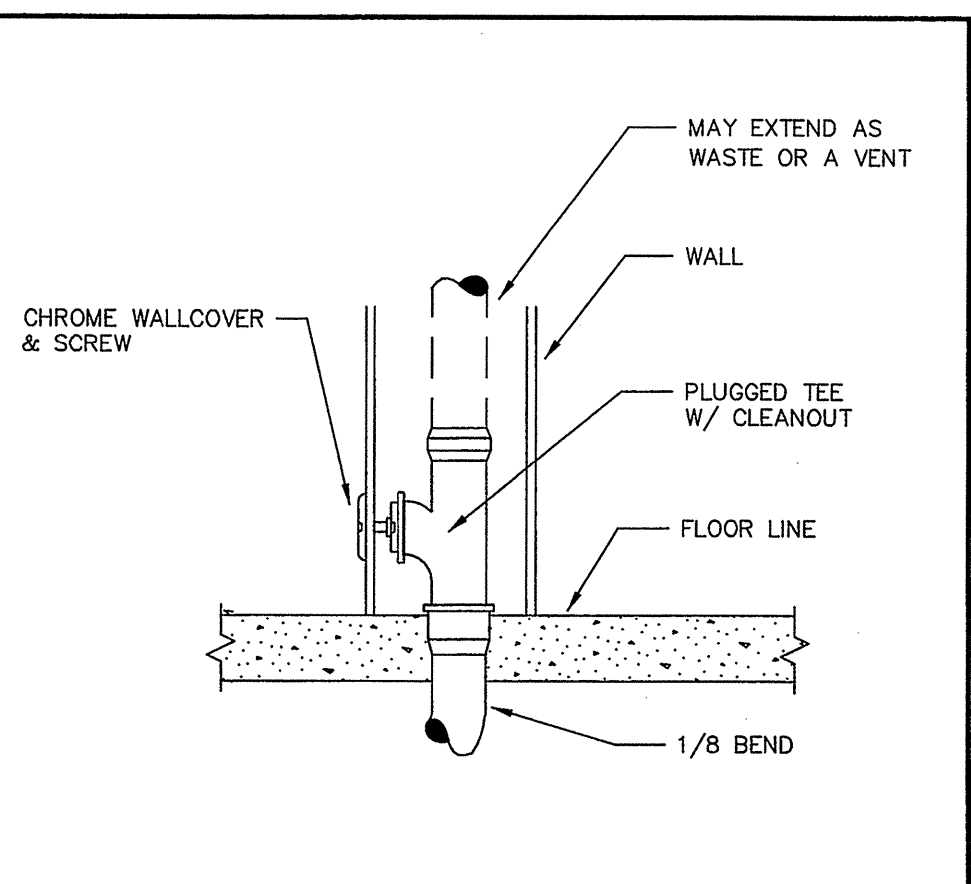
**03 CLEAN OUT TO GRADE DETAIL**  
 NTS



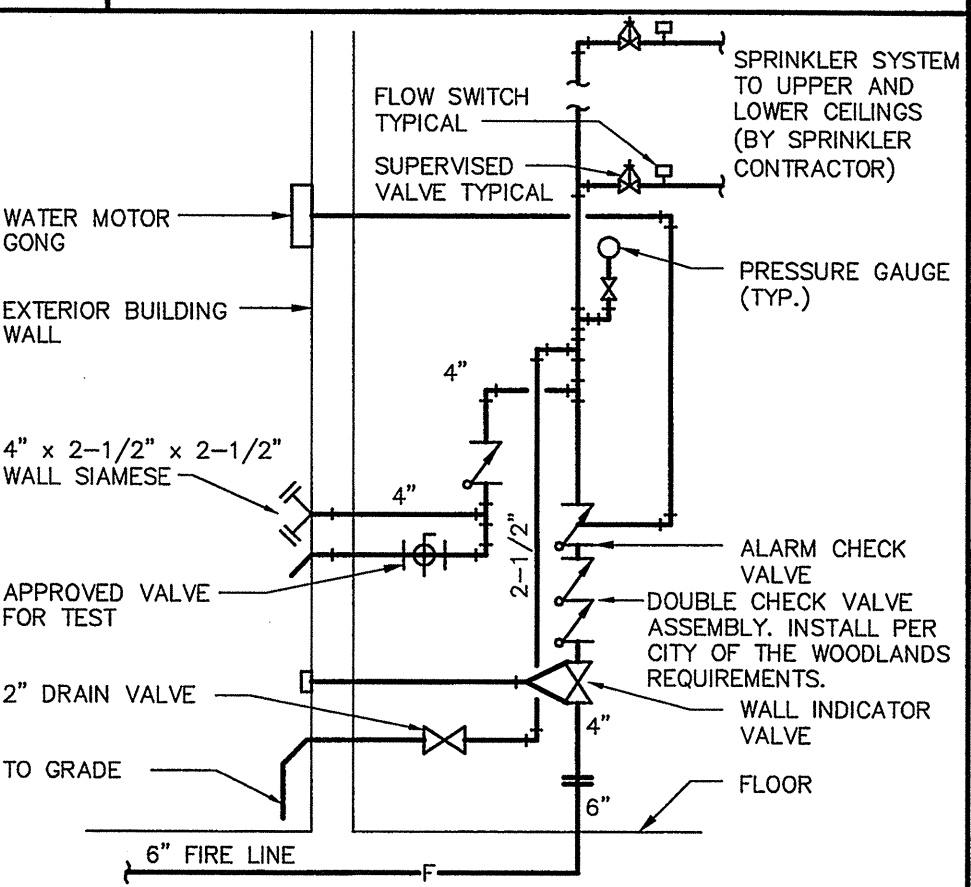
**04 FLOOR SLEEVE DETAIL**  
 NTS



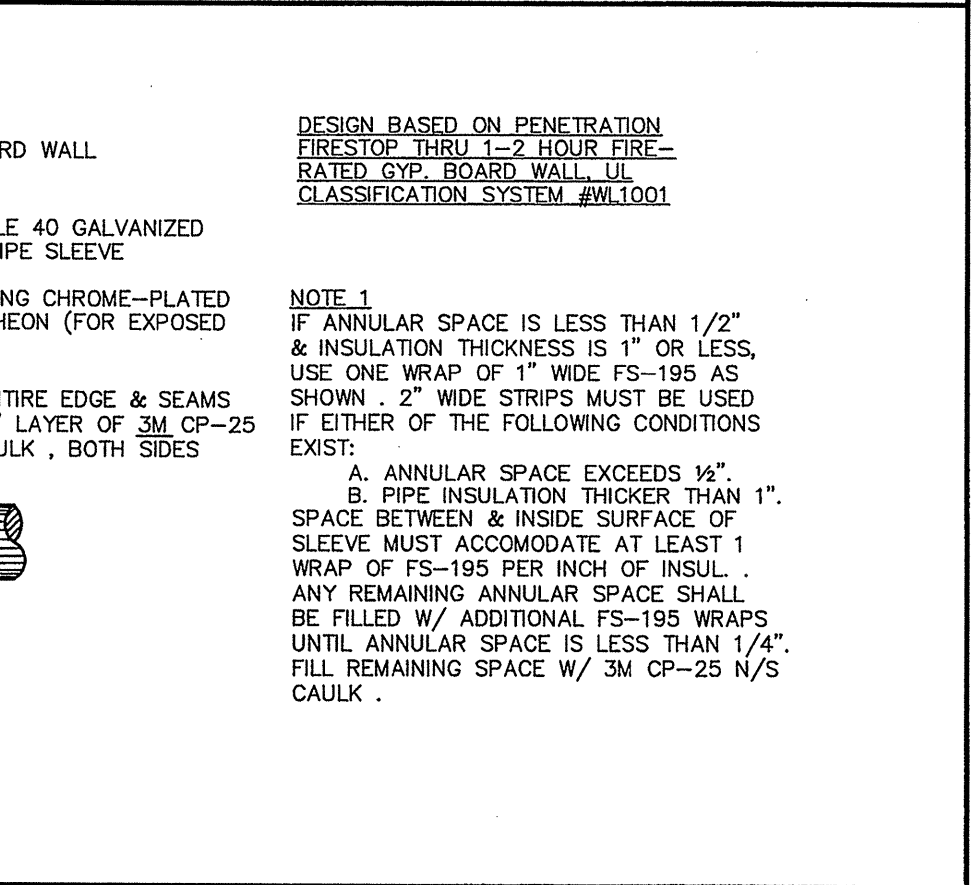
**05 WALL SLEEVE (METAL PIPE AND INSULATION)**  
 NTS



**01 WALL CLEANOUT DETAIL**  
 NTS



**02 FIRE SPRINKLER RISER**  
 NTS



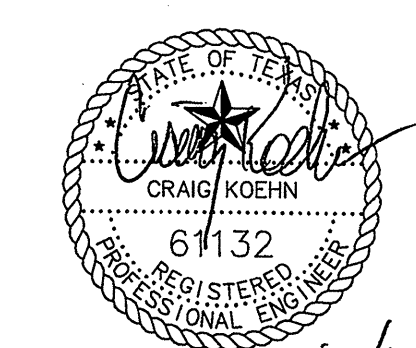
**06 CONDENSATE DRAIN**  
 NTS

**APPROVED PLUMBING PLAN**

SUBJECT PROVISION OF SEC. 102.26 OF THE UNIFORM PLUMBING CODE.

THIS PLAN MUST BE KEPT ON JOB FOR INSPECTORS. SEPARATE PERMIT FOR PLUMBING REQUIRED.

NO. 391



E/B/E, Inc.

ELECTRICAL/MECHANICAL CONSULTING ENGINEERS  
 Firm Registration No: 5638  
 Tel: (713) 840-0177  
 Fax: (713) 840-8677

PLUMBING DETAILS 01



**John P. McGovern, M.D.**  
**Community Sports & Recreation Building**  
 7318 AVENUE F  
 HOUSTON, TEXAS 77011

**THAT'S ARCHITECTURE**  
 2402 COMMONWEALTH #100, HOUSTON, TX 77006  
 TELEPHONE 713/222-4406 FAX 713/222-5506

ISSUES & REVISIONS
08/07/06 BID AND PERMIT
03/07/07 PERMIT COMMENTS

SHEET TITLE  
**PLUMBING DETAILS**

PROJECT NO. 06120.00  
 SCALE AS NOTED

SHEET NUMBER  
**P04.01**