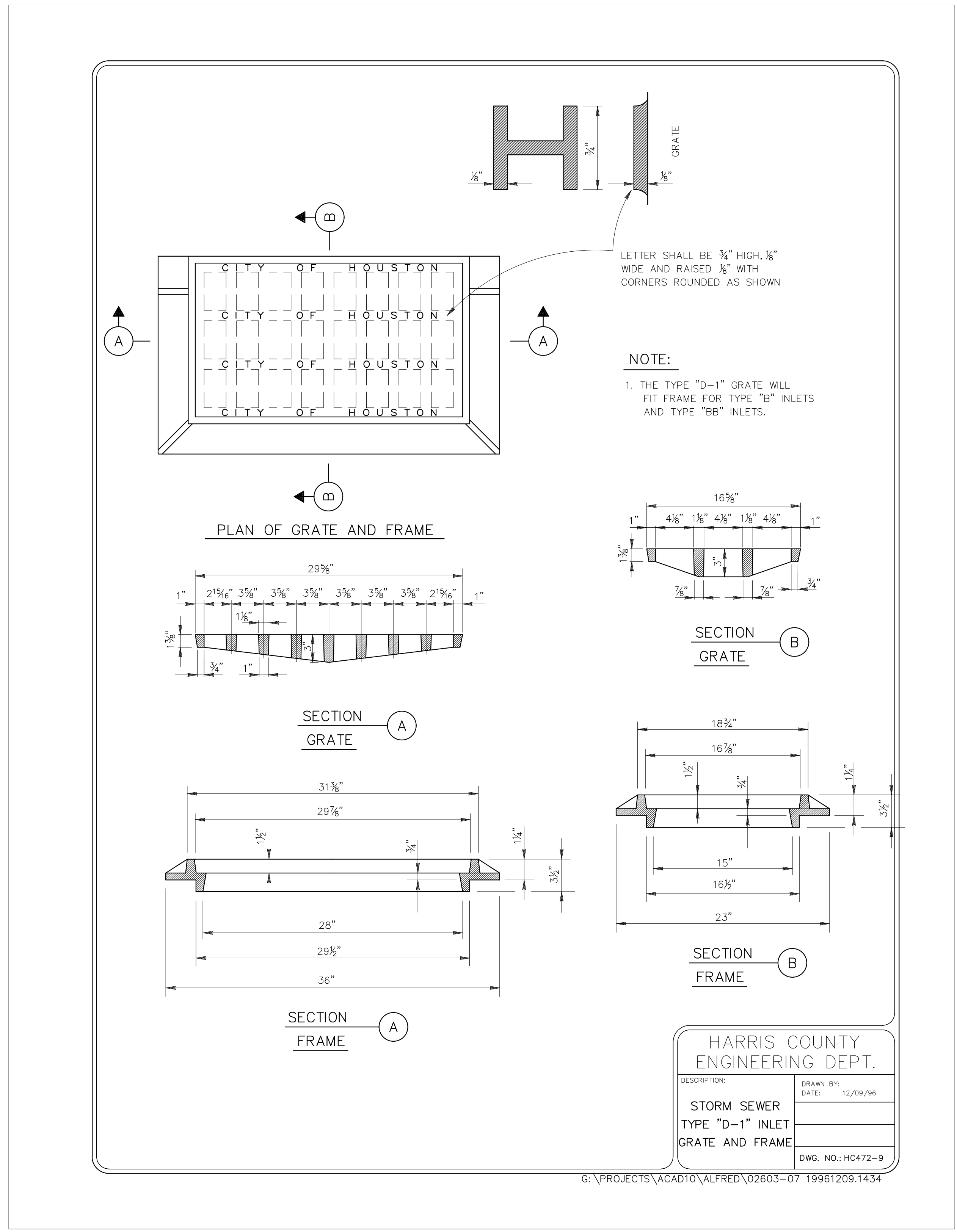
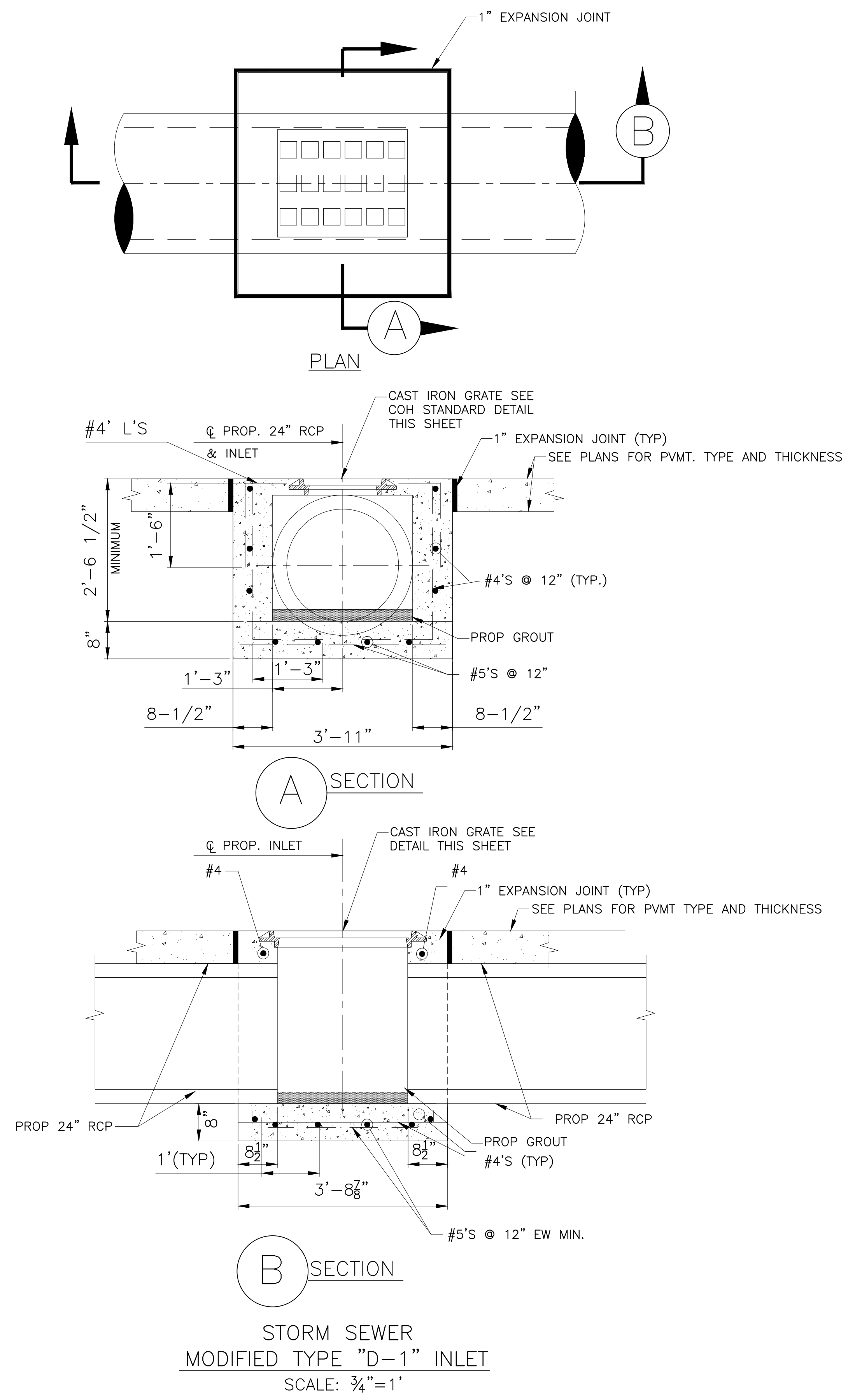


THIS DRAWING IS THE PROPERTY OF ENGINEERING & FACILITIES CONSULTING, INC. AND MAY NOT BE ALTERED, REPRODUCED, DISTRIBUTED AND/OR UTILIZED WITHOUT WRITTEN AUTHORIZATION.

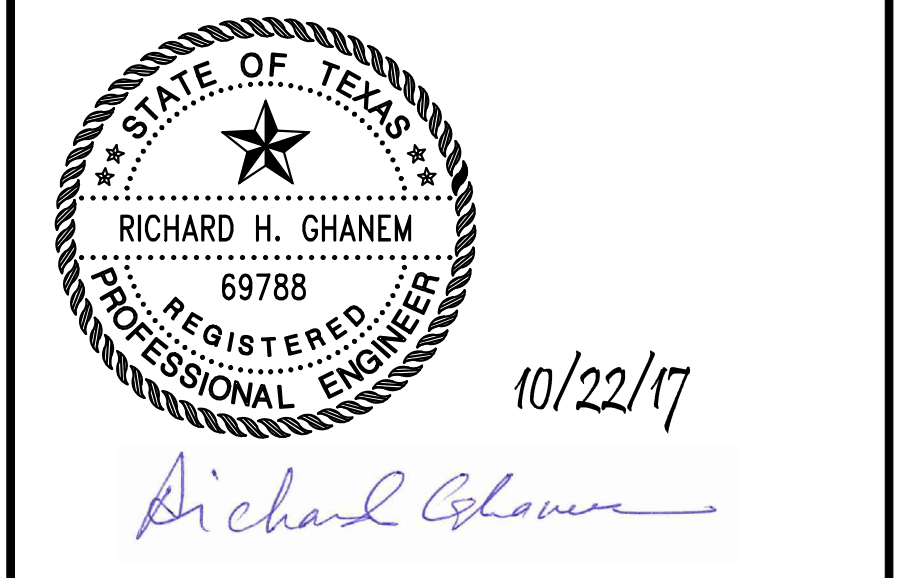
22 Oct 2017 2:50PM CIV02
P:\MVA Projects\Catholic Church Projects\CHRIST THE GOOD SHEPHERD\DRAINING\CGS-SHEET 34 D-1 INLET.dwg



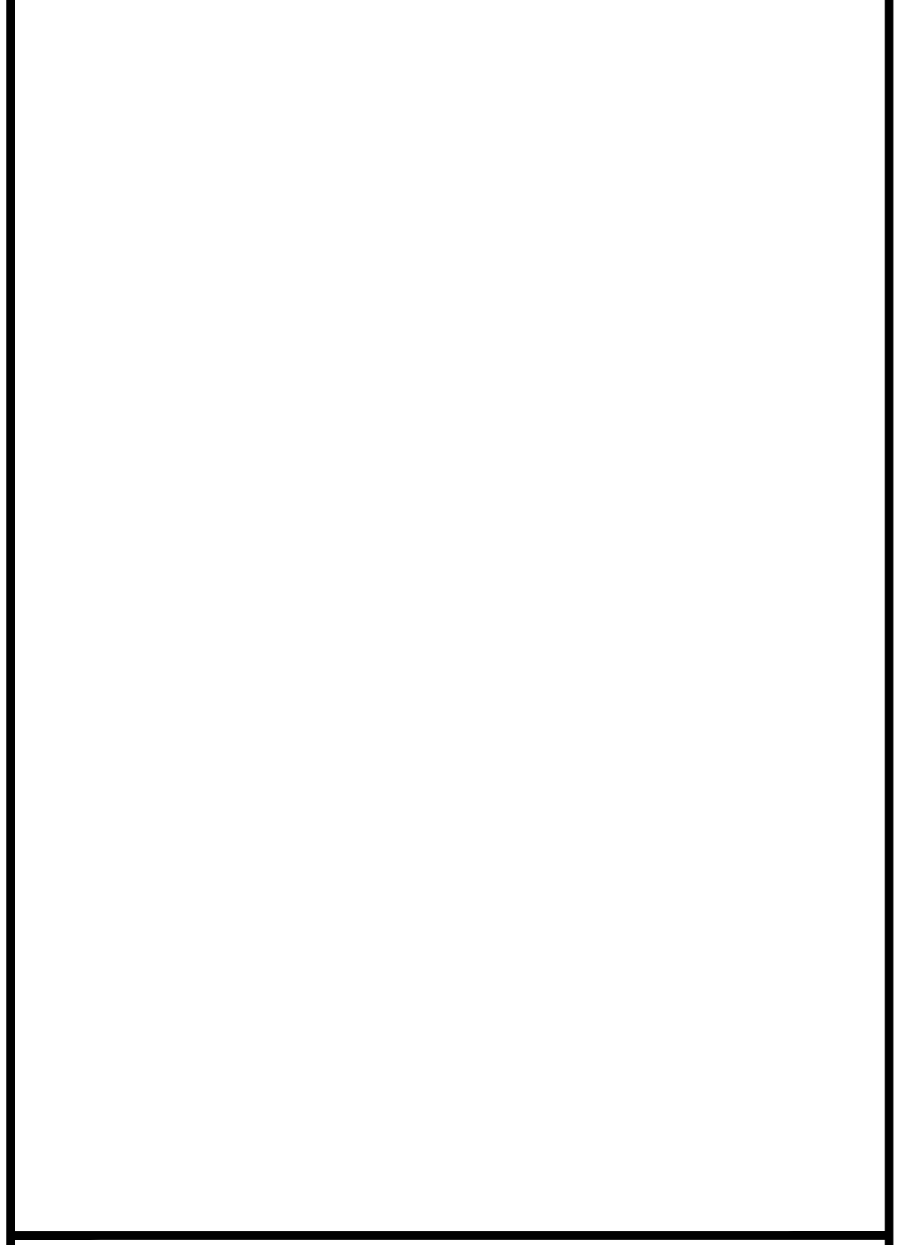
PROJECT:
Proposed Pavement Replacement
Christ the Good Shepherd
18511 Klein Church Road
Spring, Texas 77379

OWNER:
Christ the Good Shepherd
Archdiocese of Galveston-Houston
18511 Klein Church Road
Spring, Texas 77379
Rev. James Burkart, Pastor

ENGINEER:
Engineering & Facilities Consulting, Inc.
Firm Registration No. F-003940
8203 Willow Place Dr. South, Suite 405 - Houston, TX 77070
Ph: 281-894-2001; Fax: 281-894-2004
Contact: Richard H. Ghanem, PE, President
e-Mail: rghanem@efctx.com - Website: www.efctx.com



| NO. | REVISIONS | DATE | NAME |
|-----|-----------|------|------|
| | | | |
| | | | |
| | | | |



TYPE D-1 INLET

| | |
|--------------------|----------------------|
| SURVEYOR: | DESIGNED BY: LG |
| SCALE: N.T.S. | DRAWN BY: LG |
| DATE: 10/22/17 | CHECKED BY: RHG |
| EFC PN: CIV-389-15 | SHEET NO: C.34 OF 38 |