

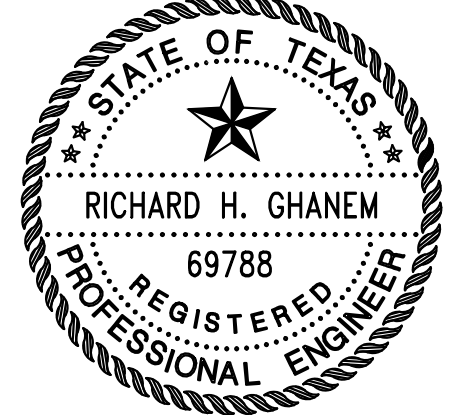
THIS DRAWING IS THE PROPERTY OF ENGINEERING & FACILITIES CONSULTING, INC. AND MAY NOT BE ALTERED, REPRODUCED, DISTRIBUTED AND/OR UTILIZED WITHOUT WRITTEN AUTHORIZATION.

P:\Catholic Church Projects\CHRIST THE GOOD SHEPHERD\CHRIST THE GOOD SHEPHERD PARKING\DRAWINGS\CGS-SHEET 31 PRECAST REINFORCED CONCRETE WHEEL STOP DETAILS.dwg

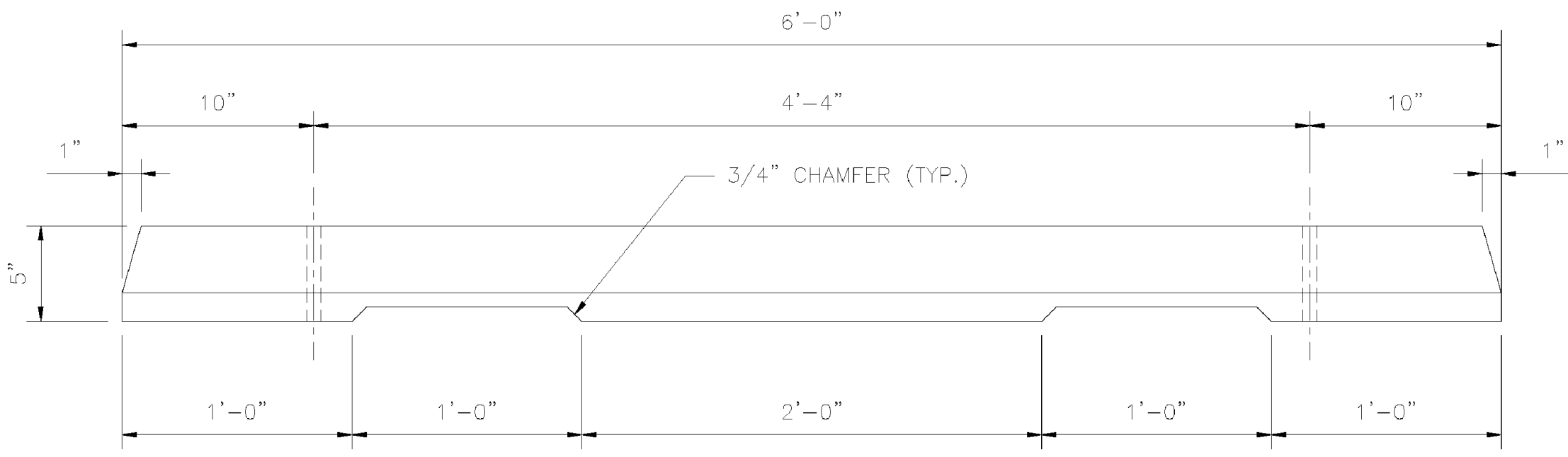
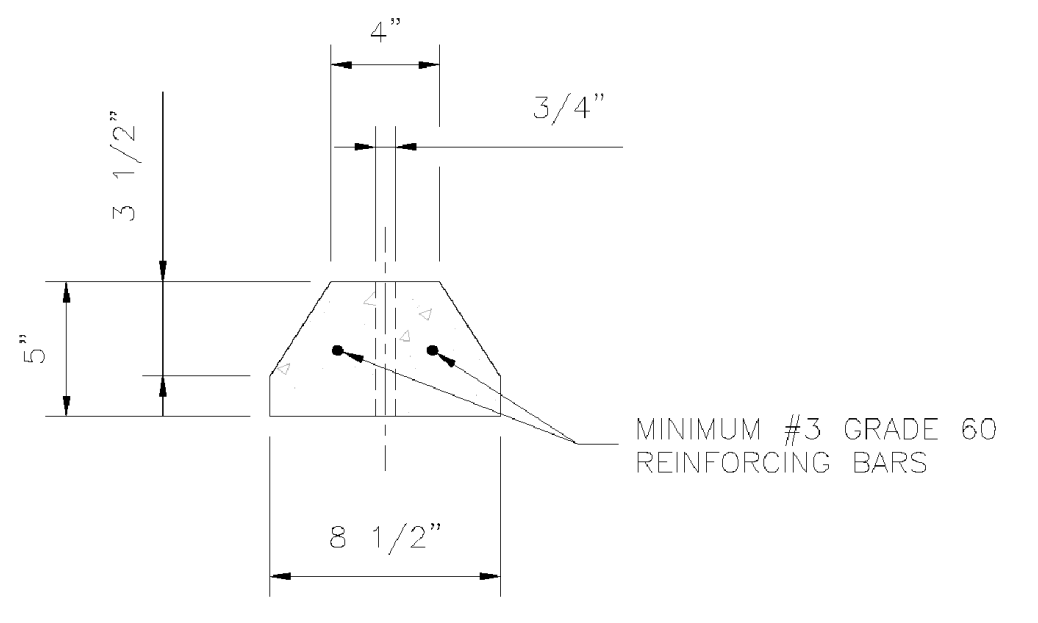
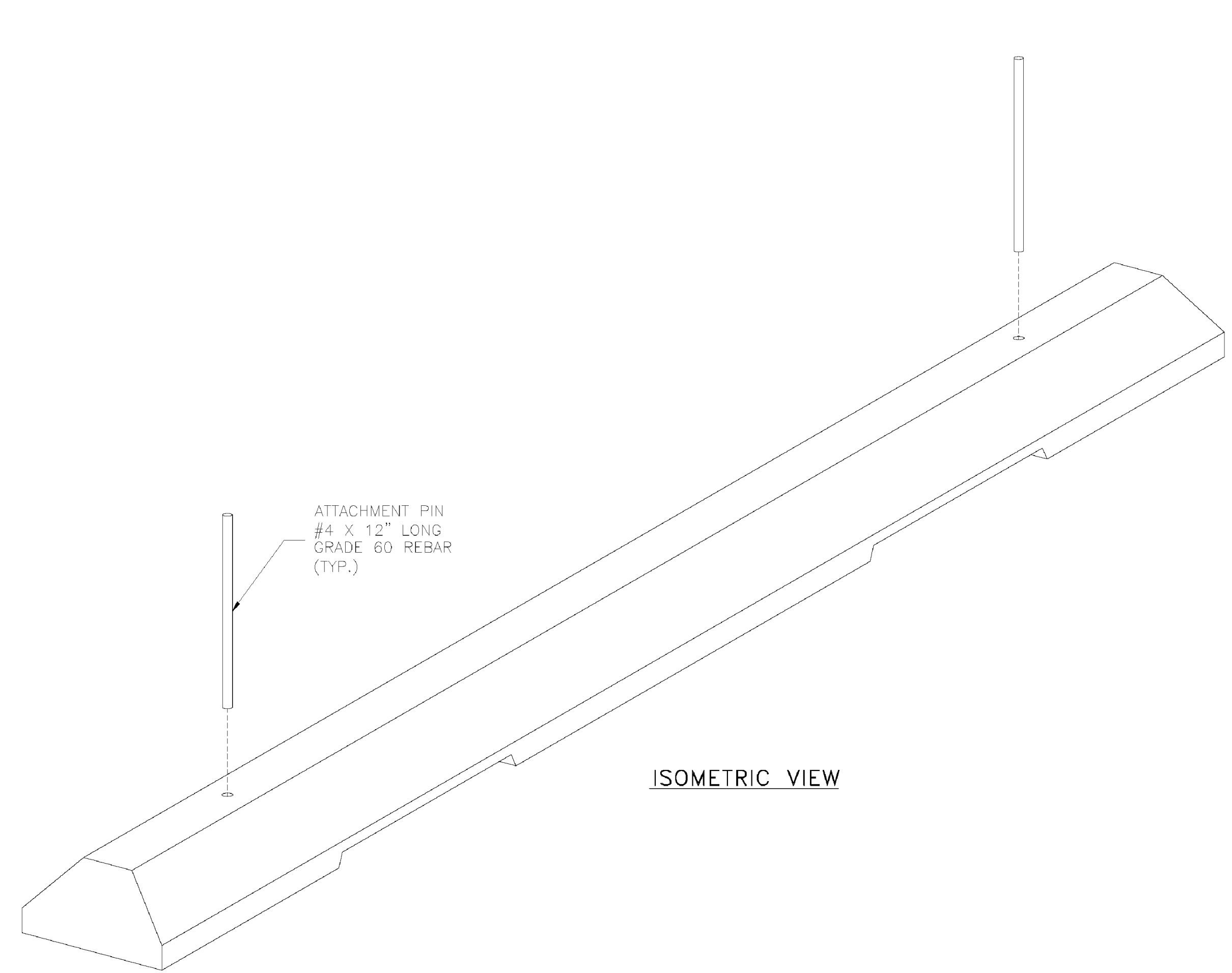
PROJECT:
Proposed Pavement Replacement
Christ the Good Shepherd
18511 Klein Church Road
Spring, Texas 77379

OWNER:
Christ the Good Shepherd
Archdiocese of Galveston-Houston
18511 Klein Church Road
Spring, Texas 77379
Rev. James Burkart, Pastor

ENGINEER:
 **Engineering & Facilities Consulting, Inc.**
 Firm Registration No. F-003940
 8203 Willow Place Dr. South, Suite 405 - Houston, TX 77070
 Ph: 281-894-2001; Fax: 281-894-2004
 Contact: Richard H. Ghanem, PE, President
 e-Mail: r.ghanem@efctx.com - Website: www.efctx.com



 REGISTERED PROFESSIONAL ENGINEER
 10/22/17
Richard Ghanem

NO.	REVISIONS	DATE	NAME



- GENERAL NOTES:**
1. CONSTRUCTION AND MATERIALS SHALL MEET REQUIREMENTS OF ITEM 537 "WHEEL STOPS".
 2. CONCRETE FOR WHEEL STOP: MINIMUM 3,000 PSI IN 28 DAYS
 3. REINFORCING STEEL: PER ASTM A615, GRADE 60
 4. ATTACHMENT PINS SHALL HAVE 7 INCH EMBEDMENT.

NO.	REVISIONS	DATE	NAME

HARRIS COUNTY
ENGINEERING DEPARTMENT


PROJECT TITLE:		CIVIL STANDARD
SHEET DESCRIPTION:		PWS
DRAWN BY:	DATE:	
JDZ	8/15/17	
CK'D BY:	SCALE:	SHEET NO:
PDG	1"=6"	

PRECAST REINFORCED CONCRETE WHEEL STOP DETAILS

SURVEYOR:	DESIGNED BY: LG
SCALE: N.T.S.	DRAWN BY: LG
DATE: 10/22/17	CHECKED BY: RHG
EFC PN: CIV-389-15	SHEET NO: C31 OF 38