

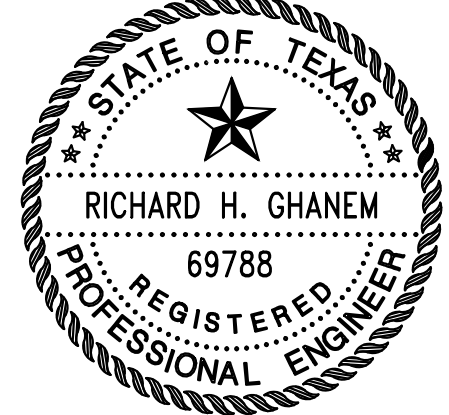
THIS DRAWING IS THE PROPERTY OF ENGINEERING & FACILITIES CONSULTING, INC. AND MAY NOT BE ALTERED, REPRODUCED, DISTRIBUTED AND/OR UTILIZED WITHOUT WRITTEN AUTHORIZATION.

P:\Catholic Church Projects\CHRIST THE GOOD SHEPHERD\HARRIS COUNTY ENGINEERING STANDARDS\PMH MODIFIED.dwg

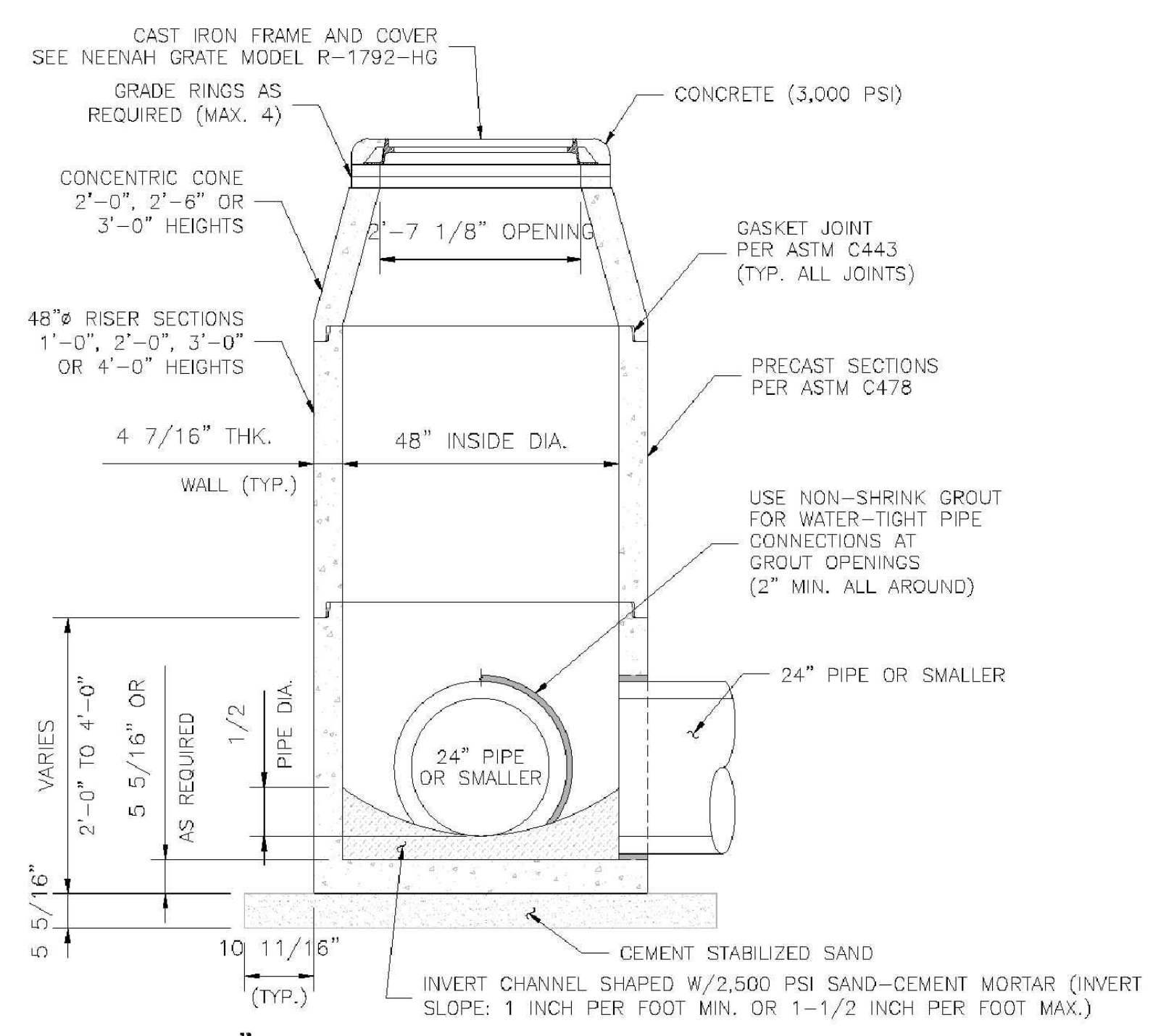
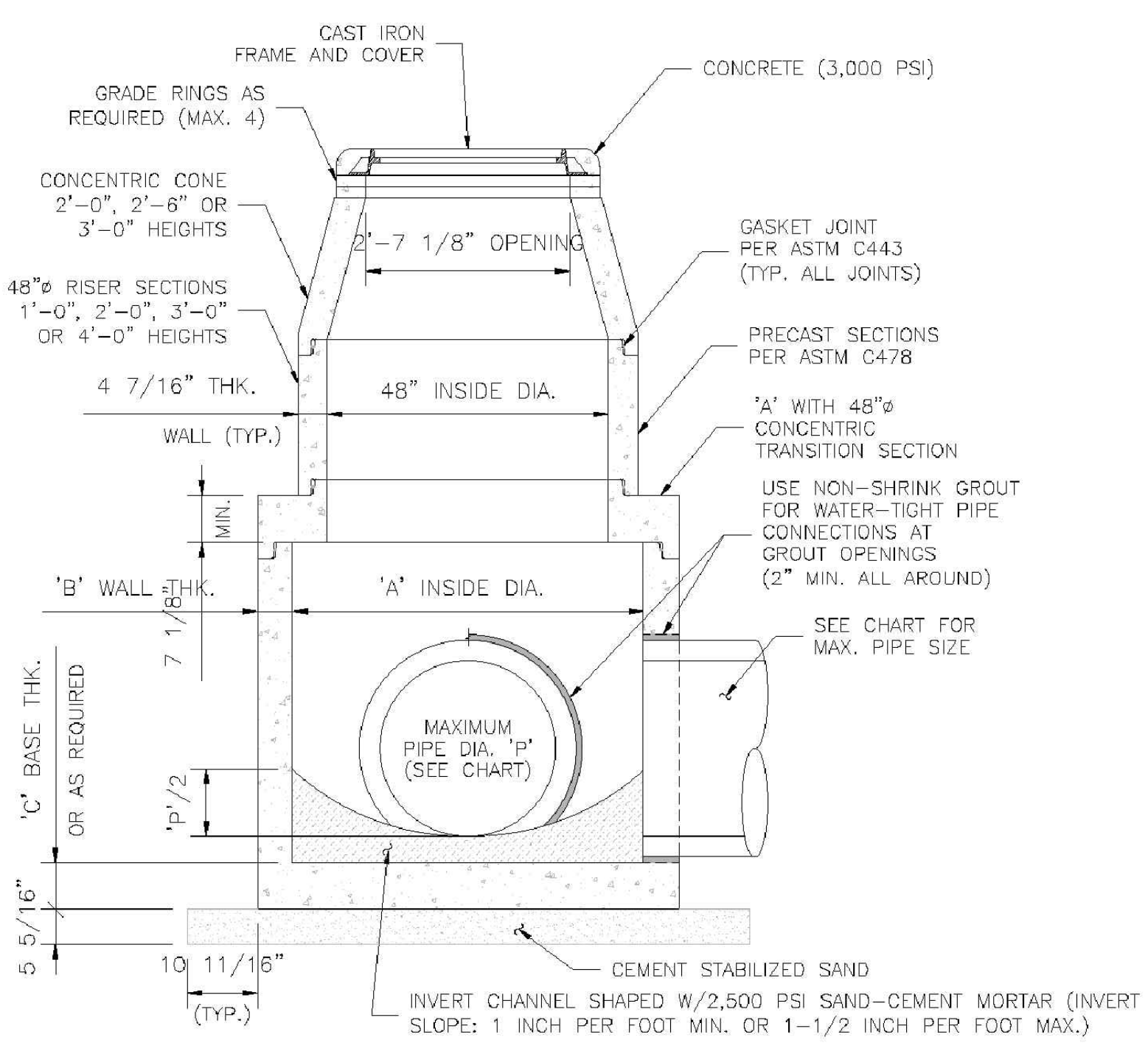
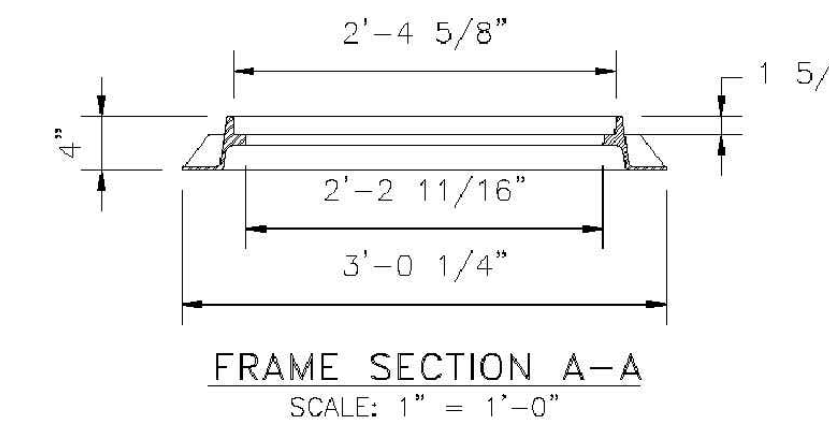
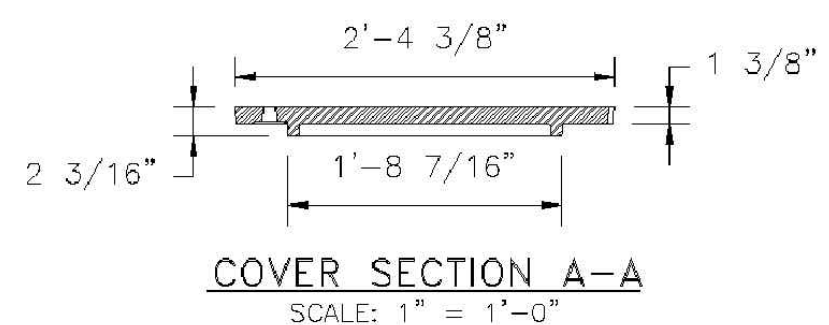
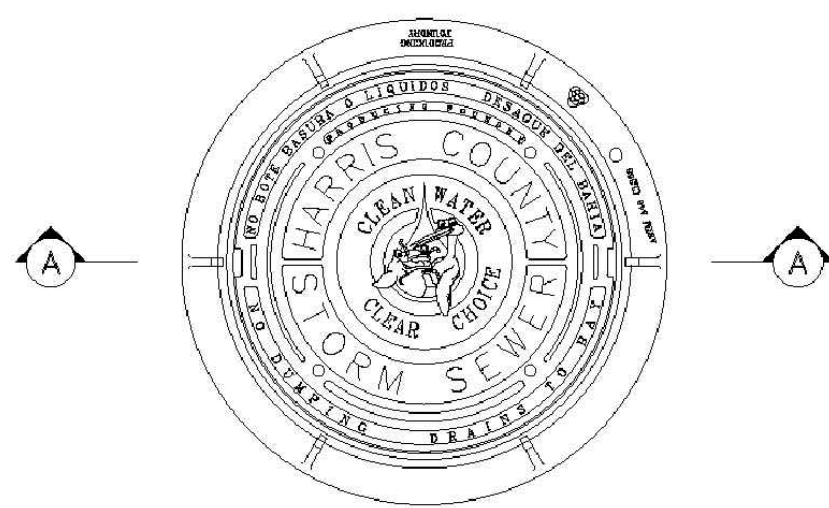
PROJECT:
Proposed Pavement Replacement
Christ the Good Shepherd
18511 Klein Church Road
Spring, Texas 77379

OWNER:
Christ the Good Shepherd
Archdiocese of Galveston-Houston
18511 Klein Church Road
Spring, Texas 77379
Rev. James Burkart, Pastor

ENGINEER:
 **Engineering & Facilities Consulting, Inc.**
 Firm Registration No. F-003940
 8203 Willow Place Dr. South, Suite 405 - Houston, TX 77070
 Ph: 281-894-2001; Fax: 281-894-2004
 Contact: Richard H. Ghanem, PE, President
 e-Mail: r.ghanem@efctx.com - Website: www.efctx.com


 REGISTERED PROFESSIONAL ENGINEER
 69788
 10/22/17
Richard Ghanem

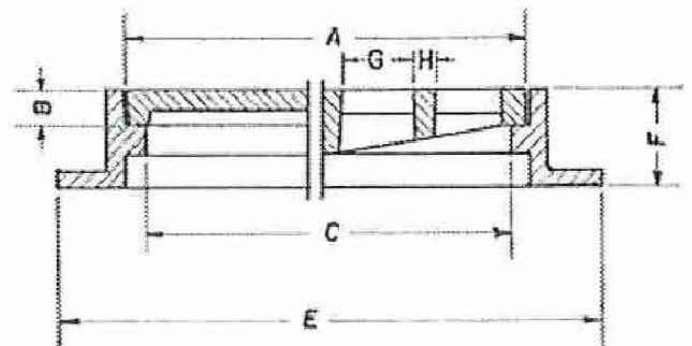
NO.	REVISIONS	DATE	NAME



R-1792 Series
Manhole Frame, Grate or Lid

Heavy Duty

CATALOG NUMBER	GRATE TYPE	SQ. FT. OPEN	WEIR PERIMETER LINEAL FEET
R-1792-AG	G	0.2	2.7
R-1792-BG	G	0.3	3.5
R-1792-CG	G	0.5	4.3
R-1792-DG	G	0.7	4.8
R-1792-EG	G	1.0	5.8
R-1792-FG	G	1.7	6.6
R-1792-GG	G	2.0	7.4
R-1792-HG	G	2.7	9.0
R-1792-JG	G	3.7	10.5
R-1792-KG	G	4.8	12.1



These units are reversible. See R-5900-1 Series for top flange.
 For bolted units, see R-6461-2 Series.

Dimensions in inches

Catalog No.	Catalog No.	A	B	C	E	F	G	H
Solid Lid	Open Grate							
R-1792-AL	R-1792-AG	10 1/4	1 1/2	8 1/2	14 1/2	4	1 x 3 3/4	7/8
R-1792-BL	R-1792-BG	13 1/4	1 1/2	11 1/2	17 1/2	4	1 x 5	1
R-1792-CL	R-1792-CG	16 1/4	1 1/2	14 1/2	20 1/2	4	1 x 6 3/4	7/8
R-1792-DL	R-1792-DG	18 1/4	1 1/2	16 1/2	22 1/2	4	1 1/8 x 7 1/8	1
R-1792-EL	R-1792-EG	22 1/4	1 1/2	20 1/2	26 1/2	4	1 1/8 x 4	1
R-1792-FL	R-1792-FG	25 1/4	1 1/2	23 1/2	29 1/2	4	1 1/8 x 4	3/4
R-1792-GL	R-1792-GG	28 1/4	1 1/2	26 3/8	32 1/2	4	1 x 5	7/8
R-1792-HL *	R-1792-HG	34 1/4	1 1/2	32 1/2	38 1/2	4	1 x 7	1
R-1792-JL	R-1792-JG	40	1 1/2	38 1/2	44 1/2	4	1 1/8 x 8 3/4	1
R-1792-KL	R-1792-KG	46 1/8	1 1/2	44 1/2	50 1/2	4	1 1/16 x 5 1/2	1

* Available with removable center lid, see R-1586.

NOTE:
 TOTAL OF 15 MANHOLES
 MODIFIED TYPE "C"
 W/ NEENAH GRATE MODEL R-1792-HG

MAXIMUM PIPE DIA. P	INSIDE DIA. A	MIN. WALL THICKNESS E	MIN. BASE THICKNESS C
30"	60"	6"	8"
42"	72"	7"	8"
54"	84"	8"	10"
60"	96"	9"	10"

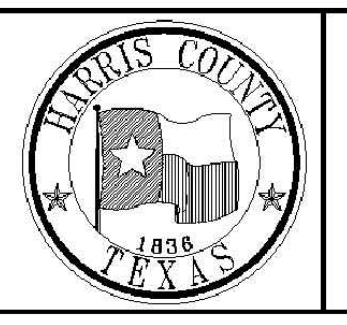
GENERAL NOTES:

- CONSTRUCTION AND MATERIALS SHALL MEET REQUIREMENTS OF ITEM 471 "PRECAST CONCRETE MANHOLES".
- CONCRETE FOR MANHOLE: MINIMUM 4,000 PSI IN 28 DAYS.
- HL-93 LOADING; MANHOLE DESIGN SHALL MEET OR EXCEED ASTM C478 REQUIREMENTS.
- GASKET JOINT: PER ASTM C443
- FRAME AND COVER SHALL BE EAST JORDAN IRON WORKS MODEL V-1420 OR APPROVED EQUAL.
- SHOP DRAWINGS WITH MANUFACTURER'S CERTIFICATION SHALL BE SUBMITTED FOR ENGINEER'S APPROVAL.



NO.	REVISIONS	DATE	NAME

HARRIS COUNTY
ENGINEERING DEPARTMENT



PROJECT TITLE:		CIVIL STANDARD
SHEET DESCRIPTION:		M-PMH
DRAWN BY:	MANHOLE DETAILS /W NEENAH GRATE	DATE:
JDZ		8/15/17
CRD BY:	SCALE: AS NOTED	SHEET NO:
PDG		7

MODIFIED PRECAST
CONCRETE STORM SEWER
W/ NEENAH GRATE

SURVEYOR:	DESIGNED BY: LG
SCALE: AS NOTED	DRAWN BY: LG
DATE: 10/22/17	CHECKED BY: RHG
EFC PN: CIV-389-15	SHEET NO: C29 OF 38