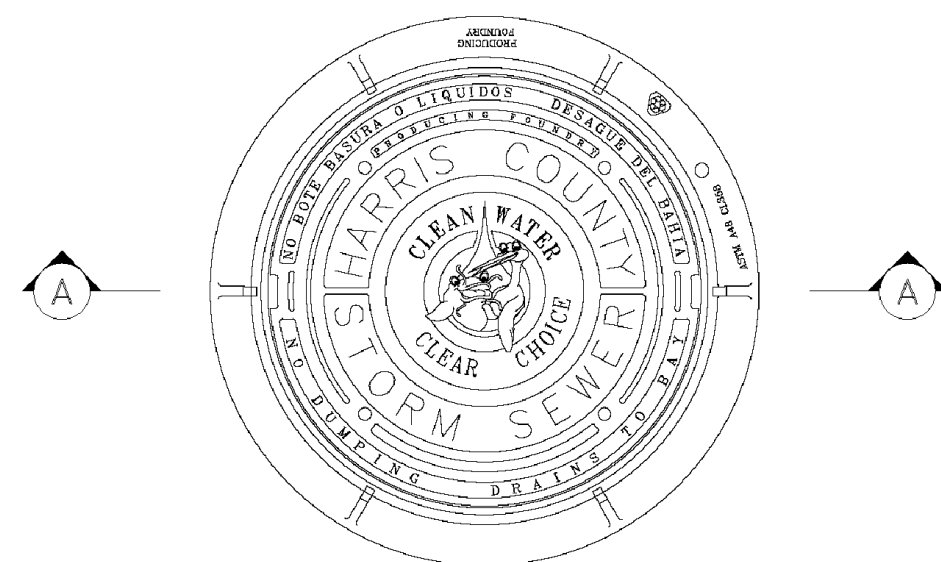
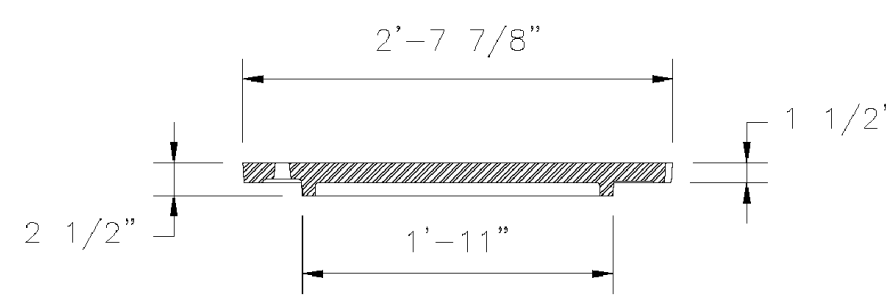


THIS DRAWING IS THE PROPERTY OF ENGINEERING & FACILITIES CONSULTING, INC. AND MAY NOT BE ALTERED, REPRODUCED, DISTRIBUTED AND/OR UTILIZED WITHOUT WRITTEN AUTHORIZATION.

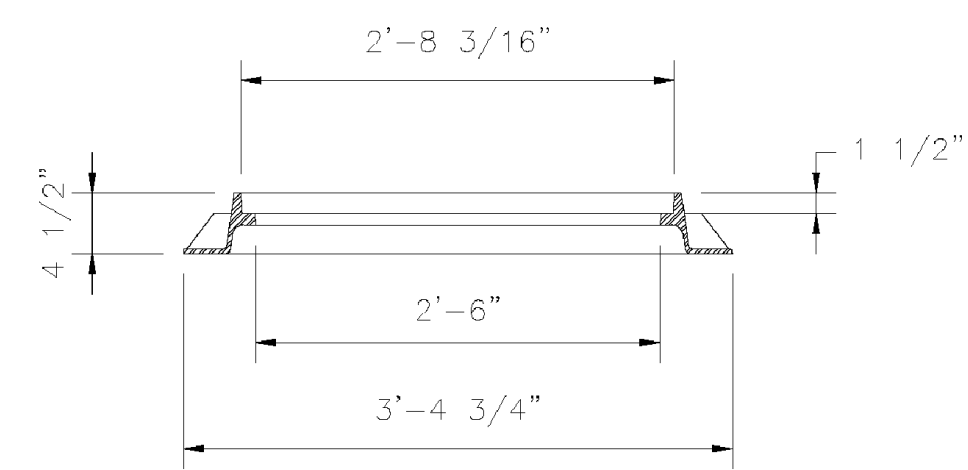
P:\Catholic Church Projects\CHRIST THE GOOD SHEPHERD\THE GOOD SHEPHERD\CHURCH PROJECTS\HARRIS COUNTY ENGINEERING STANDARDS\PMH.dwg



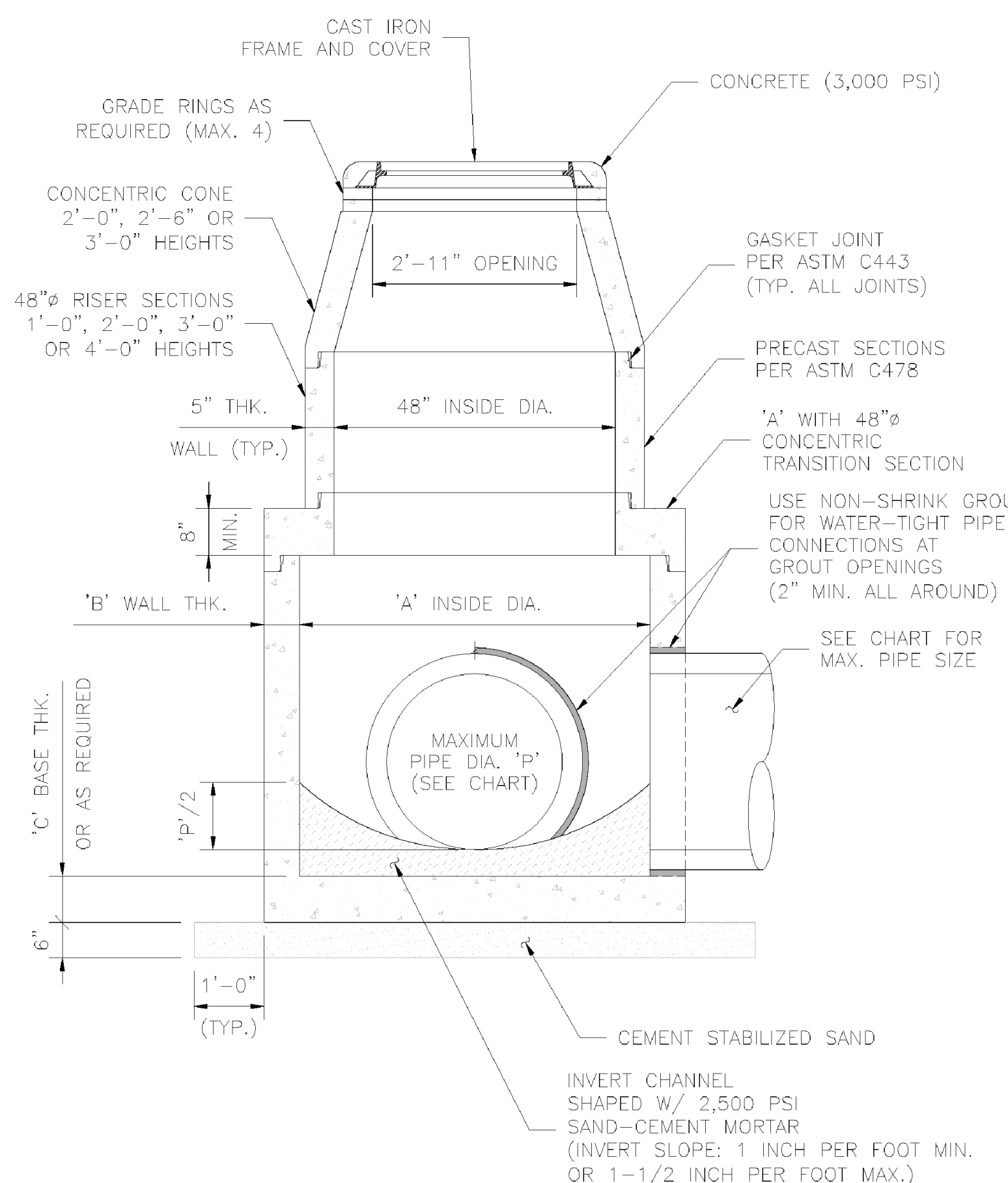
**PLAN VIEW
FRAME AND COVER**
SCALE: 1" = 1'-0"



COVER SECTION A-A
SCALE: 1" = 1'-0"

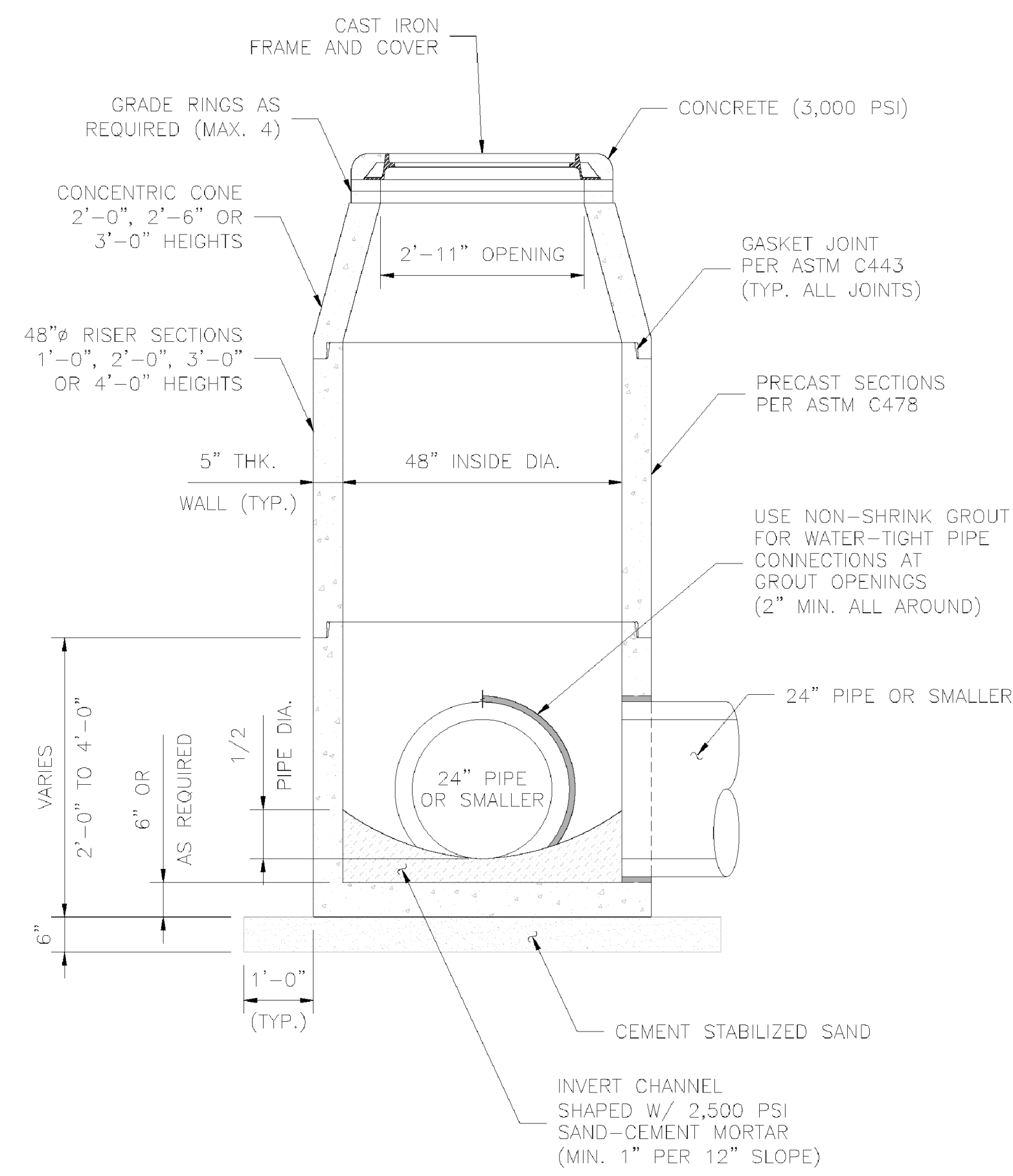


FRAME SECTION A-A
SCALE: 1" = 1'-0"



**PRECAST CONCENTRIC MANHOLE
FOR PIPE SIZES GREATER THAN 24"**
SCALE: 1" = 1'-6"

MAXIMUM PIPE DIA. 'P'	INSIDE DIA. 'A'	MIN. WALL THICKNESS 'B'	MIN. BASE THICKNESS 'C'
30"	60"	6"	8"
42"	72"	7"	8"
54"	84"	8"	10"
60"	96"	9"	10"



**48"Ø PRECAST CONCENTRIC MANHOLE
FOR PIPE SIZES 24" OR SMALLER**
SCALE: 1" = 1'-6"

GENERAL NOTES:

- CONSTRUCTION AND MATERIALS SHALL MEET REQUIREMENTS OF ITEM 471 "PRECAST CONCRETE MANHOLES".
- CONCRETE FOR MANHOLE: MINIMUM 4,000 PSI IN 28 DAYS.
- HL-93 LOADING; MANHOLE DESIGN SHALL MEET OR EXCEED ASTM C478 REQUIREMENTS.
- GASKET JOINT: PER ASTM C443.
- FRAME AND COVER SHALL BE EAST JORDAN IRON WORKS MODEL V-1420 OR APPROVED EQUAL.
- SHOP DRAWINGS WITH MANUFACTURER'S CERTIFICATION SHALL BE SUBMITTED FOR ENGINEER'S APPROVAL.

PROJECT:
**Proposed Pavement Replacement
Christ the Good Shepherd
18511 Klein Church Road
Spring, Texas 77379**

OWNER:
**Christ the Good Shepherd
Archdiocese of Galveston-Houston
18511 Klein Church Road
Spring, Texas 77379
Rev. James Burkart, Pastor**

ENGINEER:

Engineering & Facilities Consulting, Inc.
Firm Registration No. F-003940
8203 Willow Place Dr. South, Suite 405 - Houston, TX 77070
Ph: 281-894-2001; Fax: 281-894-2004
Contact: Richard H. Ghanem, PE, President
e-Mail: r.ghanem@efctx.com - Website: www.efctx.com

10/22/17
Richard Ghanem

NO.	REVISIONS	DATE	NAME

NO.	REVISIONS	DATE	NAME

**HARRIS COUNTY
ENGINEERING DEPARTMENT**



PROJECT TITLE:		CIVIL STANDARD
SHEET DESCRIPTION:		PMH
DRAWN BY:	MANHOLE DETAILS	DATE:
JDZ		8/15/17
CR'D BY:	SCALE:	SHEET NO.:
PDG	AS NOTED	

**PRECAST CONCRETE
STORM SEWER MANHOLE
DETAILS**

SURVEYOR: SCALE: N.T.S. DATE: 10/22/17 EFC PN: CIV-389-15

DESIGNED BY: LG DRAWN BY: LG CHECKED BY: RHG SHEET NO: C28 OF 38