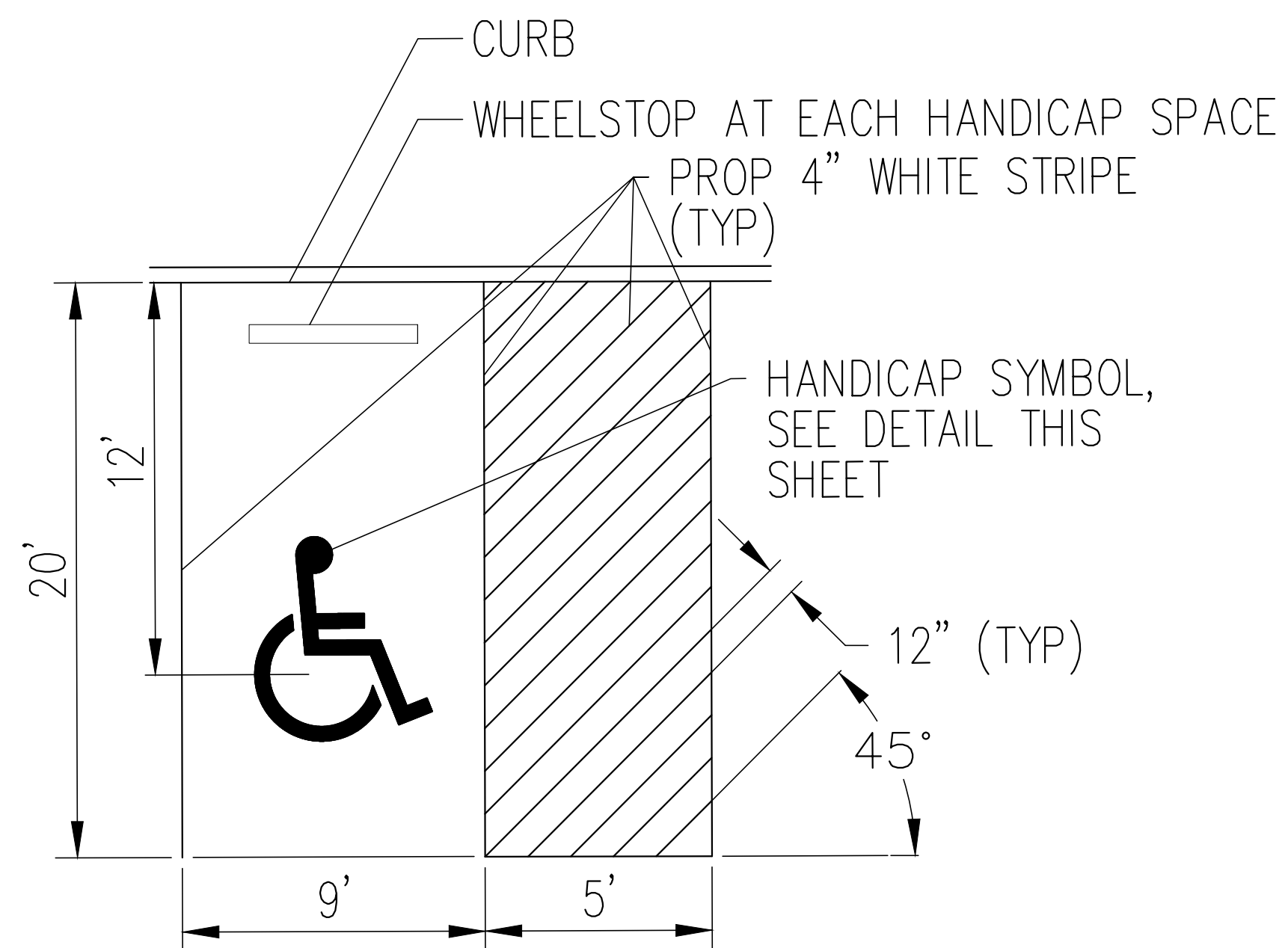
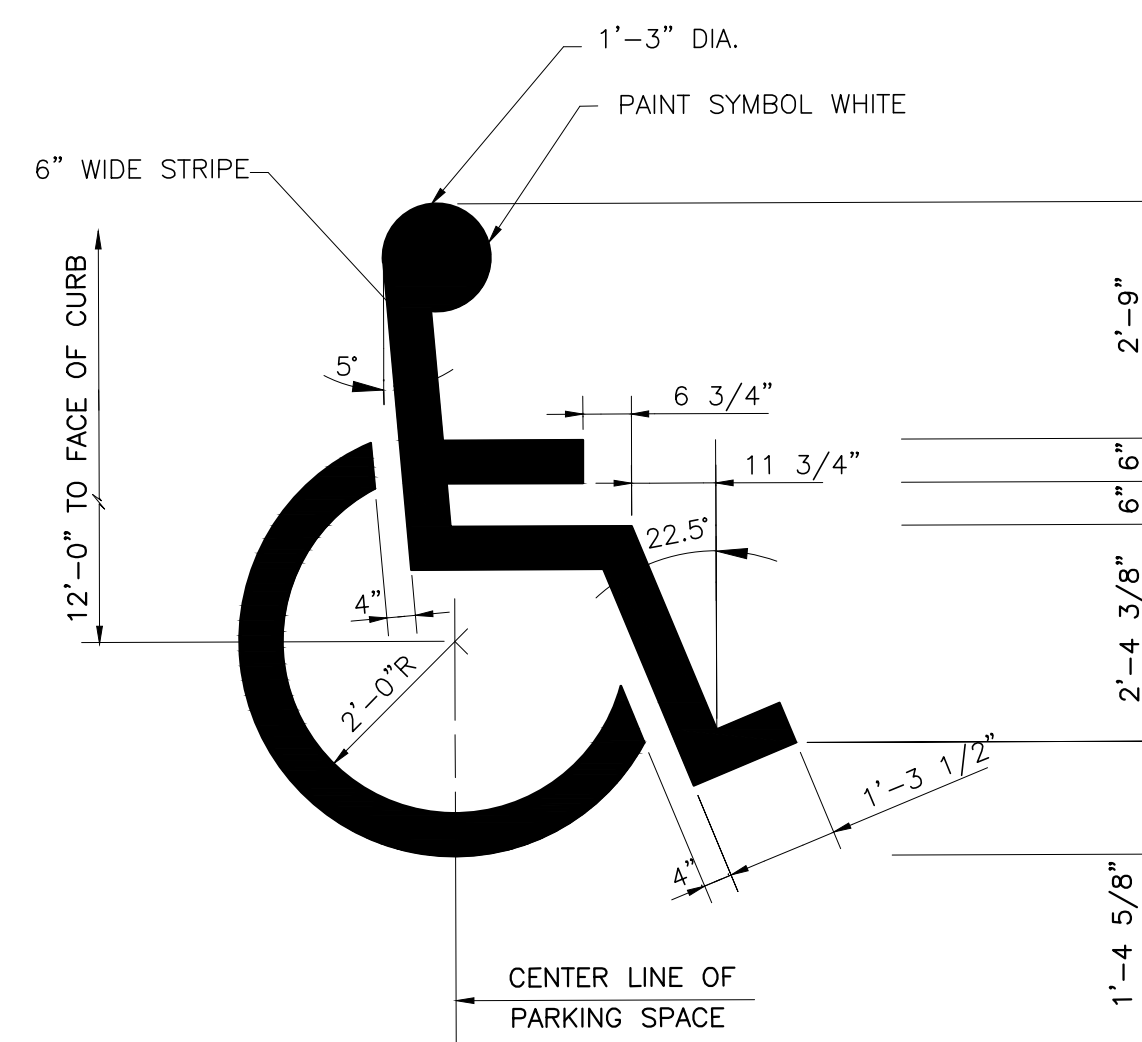


THIS DRAWING IS THE PROPERTY OF ENGINEERING & FACILITIES CONSULTING, INC. AND MAY NOT BE ALTERED, REPRODUCED, DISTRIBUTED AND/OR UTILIZED WITHOUT WRITTEN AUTHORIZATION.



STRIPING DETAIL FOR HANDICAP PARKING SPACE
SCALE: N.T.S.

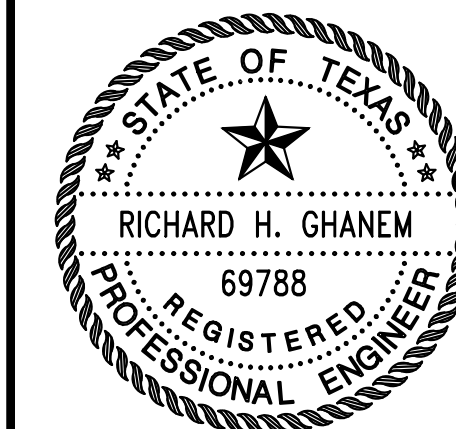


HANDICAP SYMBOL FOR PARKING
SCALE: N.T.S.

PROJECT:
Proposed Pavement Replacement
Christ the Good Shepherd
18511 Klein Church Road
Spring, Texas 77379

OWNER:
Christ the Good Shepherd
Archdiocese of Galveston-Houston
18511 Klein Church Road
Spring, Texas 77379
Rev. James Burkart, Pastor

ENGINEER:
Engineering & Facilities Consulting, Inc.
Firm Registration No. F-003940
8203 Willow Place Dr. South, Suite 405 - Houston, TX 77070
Ph: 281-894-2001; Fax: 281-894-2004
Contact: Richard H. Ghanem, PE, President
e-Mail: r.ghanem@efctx.com - Website: www.efctx.com

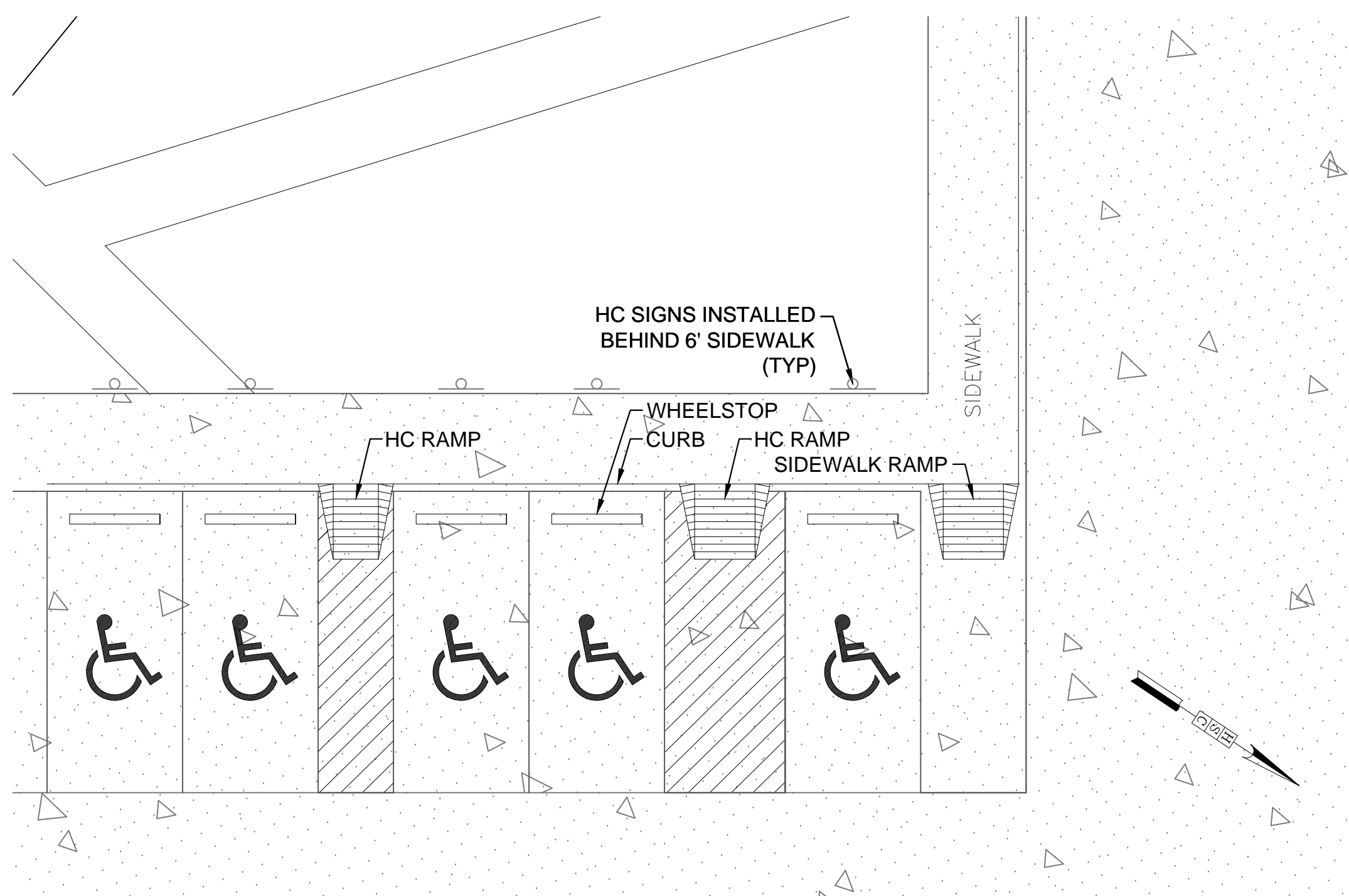


10/22/17

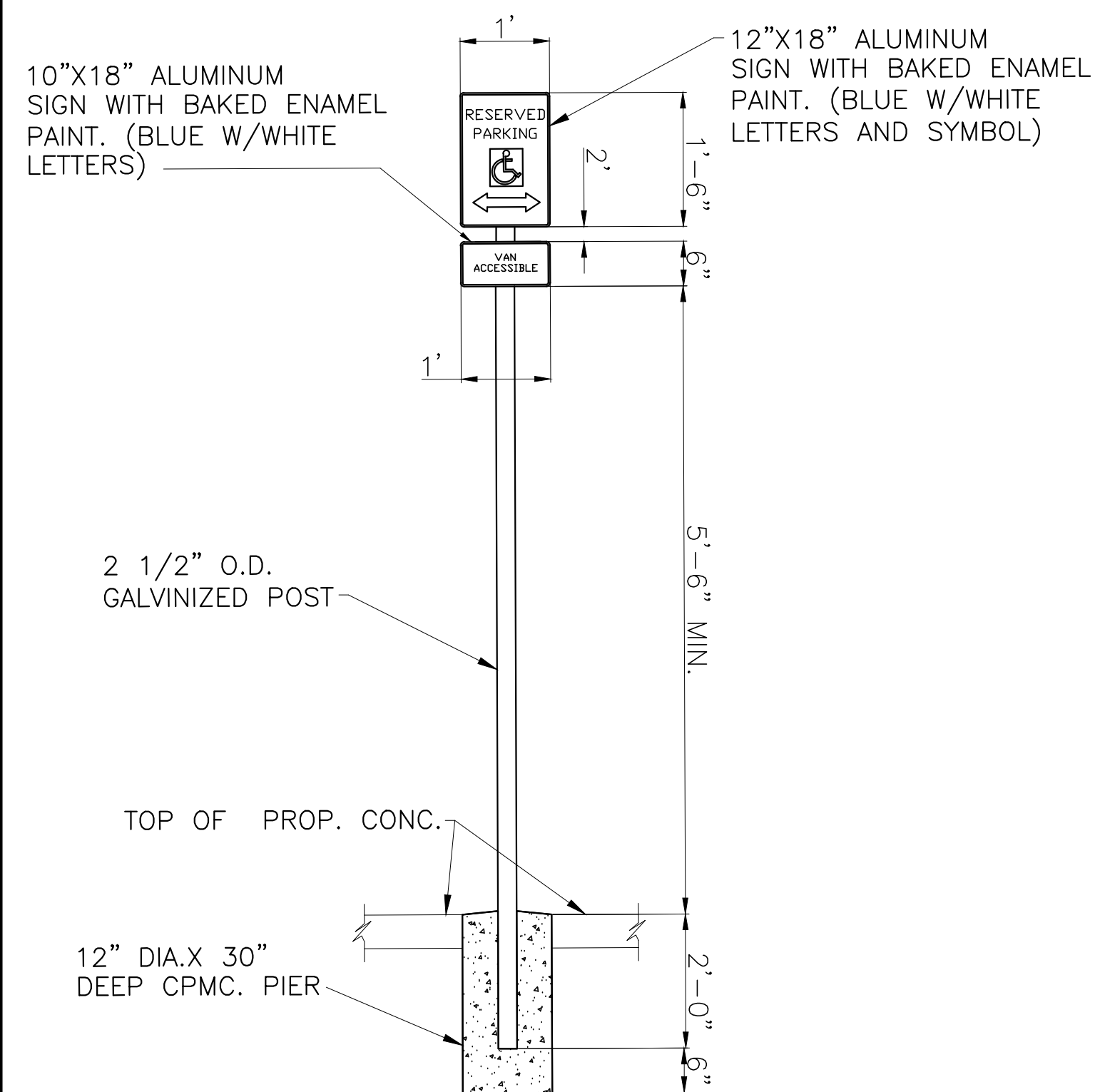
Richard Ghanem

NO.	REVISIONS	DATE	NAME

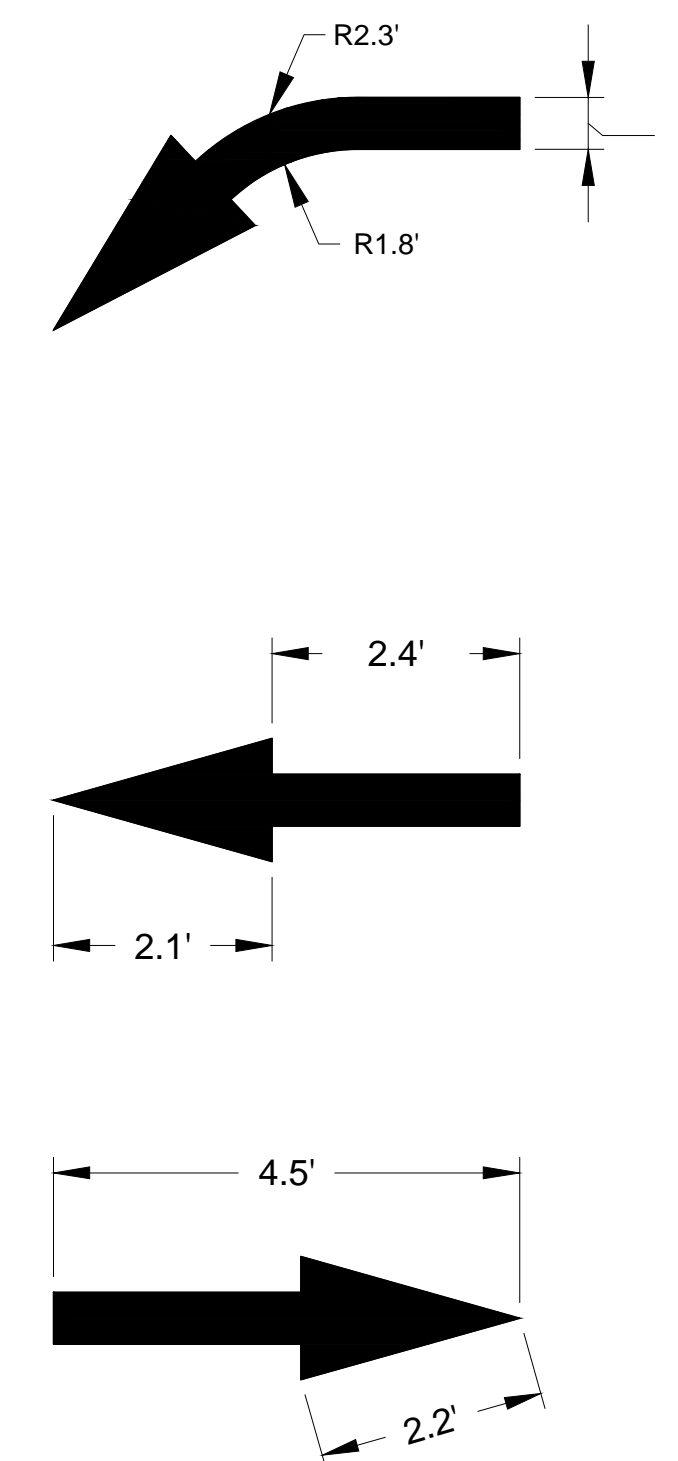
22 Oct 2017 3:20PM CIV02 P:\MVA Projects\Catholic Church Projects\CHRIST THE GOOD SHEPHERD\CHRIST THE GOOD SHEPHERD PARKING\DRAWINGS\CDS-SHEET 27 ADA PAVING DETAILS.dwg



PAVEMENT DETAIL HANDICAP RAMP
SCALE: 1"=5'



HANDICAP SIGN FOR PARKING
SCALE: N.T.S.



TYPICAL PAVEMENT ARROW
SCALE: N.T.S.

ADA PAVING DETAILS

SURVEYOR: DESIGNED BY: LG
SCALE: AS NOTED DRAWN BY: LG
DATE: 10/22/17 CHECKED BY: RHG
EFC PN: CIV-389-15 SHEET NO: C27 OF 38