

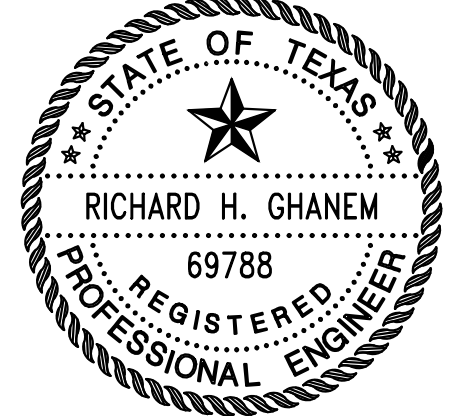
THIS DRAWING IS THE PROPERTY OF ENGINEERING & FACILITIES CONSULTING, INC. AND MAY NOT BE ALTERED, REPRODUCED, DISTRIBUTED AND/OR UTILIZED WITHOUT WRITTEN AUTHORIZATION.

22 DEC 2017 4:03PM CIV02 P:\MVA Projects\Catholic Church Projects\CHRIST THE GOOD SHEPHERD\CHURCH PROJECTS\SWPP PLAN DETAILS.dwg

PROJECT:  
**Proposed Pavement Replacement**  
**Christ the Good Shepherd**  
**18511 Klein Church Road**  
**Spring, Texas 77379**

OWNER:  
**Christ the Good Shepherd**  
**Archdiocese of Galveston-Houston**  
**18511 Klein Church Road**  
**Spring, Texas 77379**  
**Rev. James Burkart, Pastor**

ENGINEER:  
 **Engineering & Facilities Consulting, Inc.**  
 Firm Registration No. F-003940  
 8203 Willow Place Dr. South, Suite 405 - Houston, TX 77070  
 Ph: 281-894-2001; Fax: 281-894-2004  
 Contact: Richard H. Ghanem, PE, President  
 e-Mail: r.ghanem@efctx.com - Website: www.efctx.com

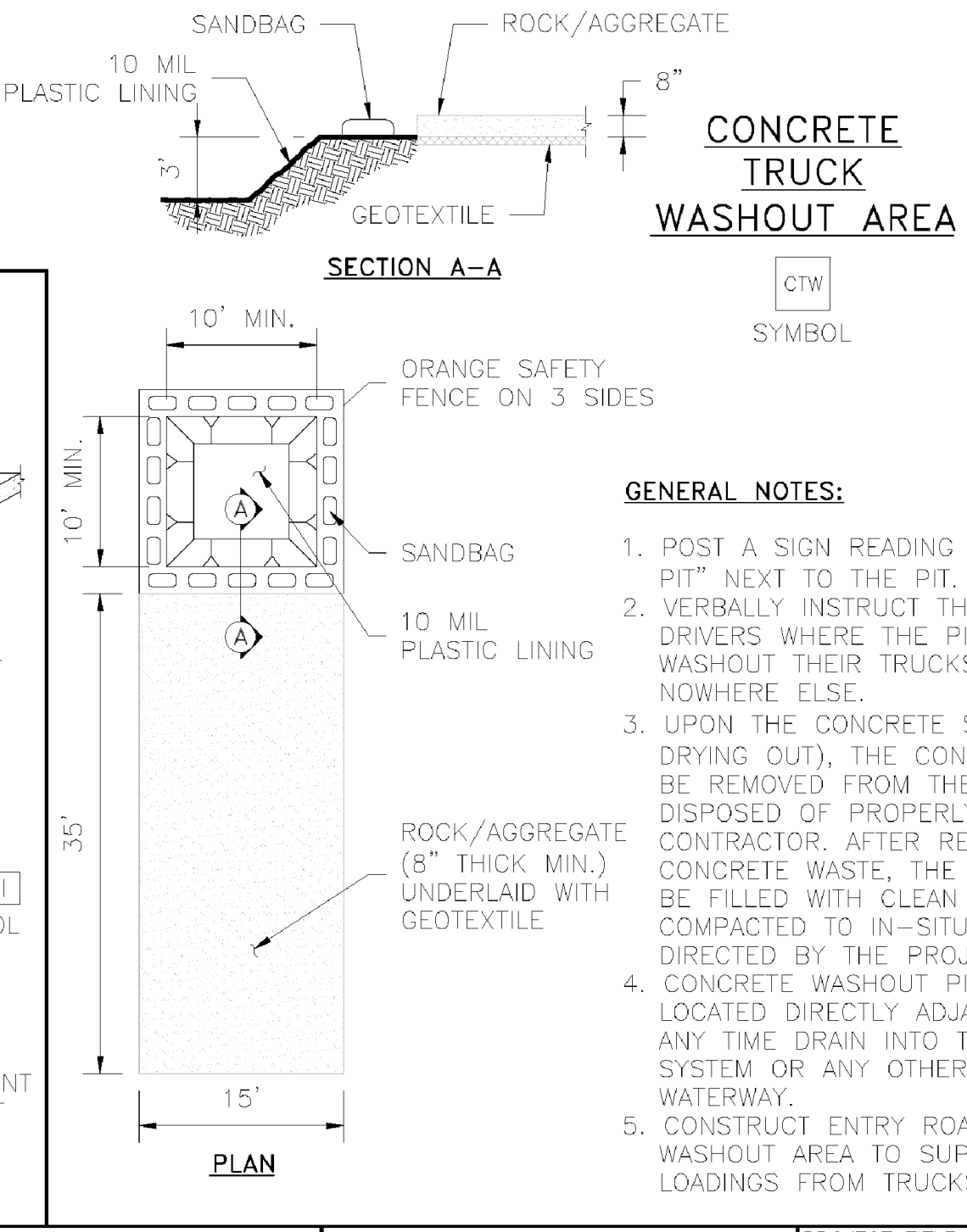
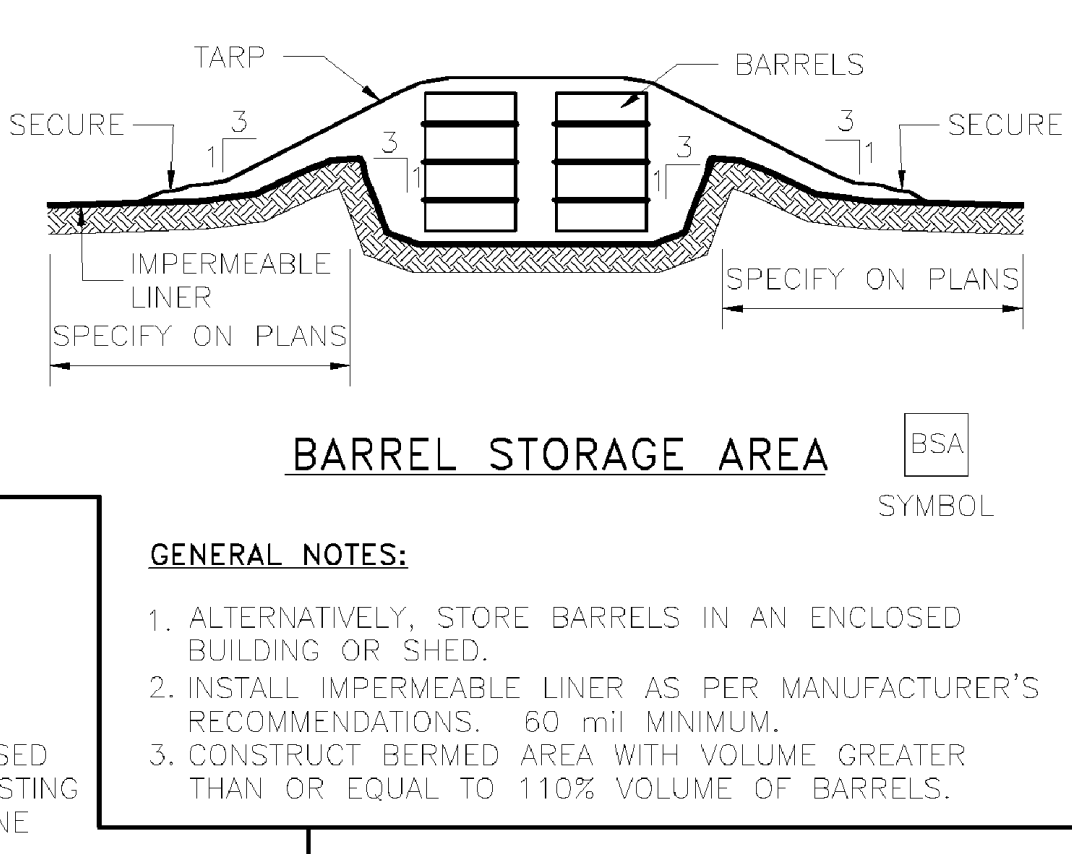
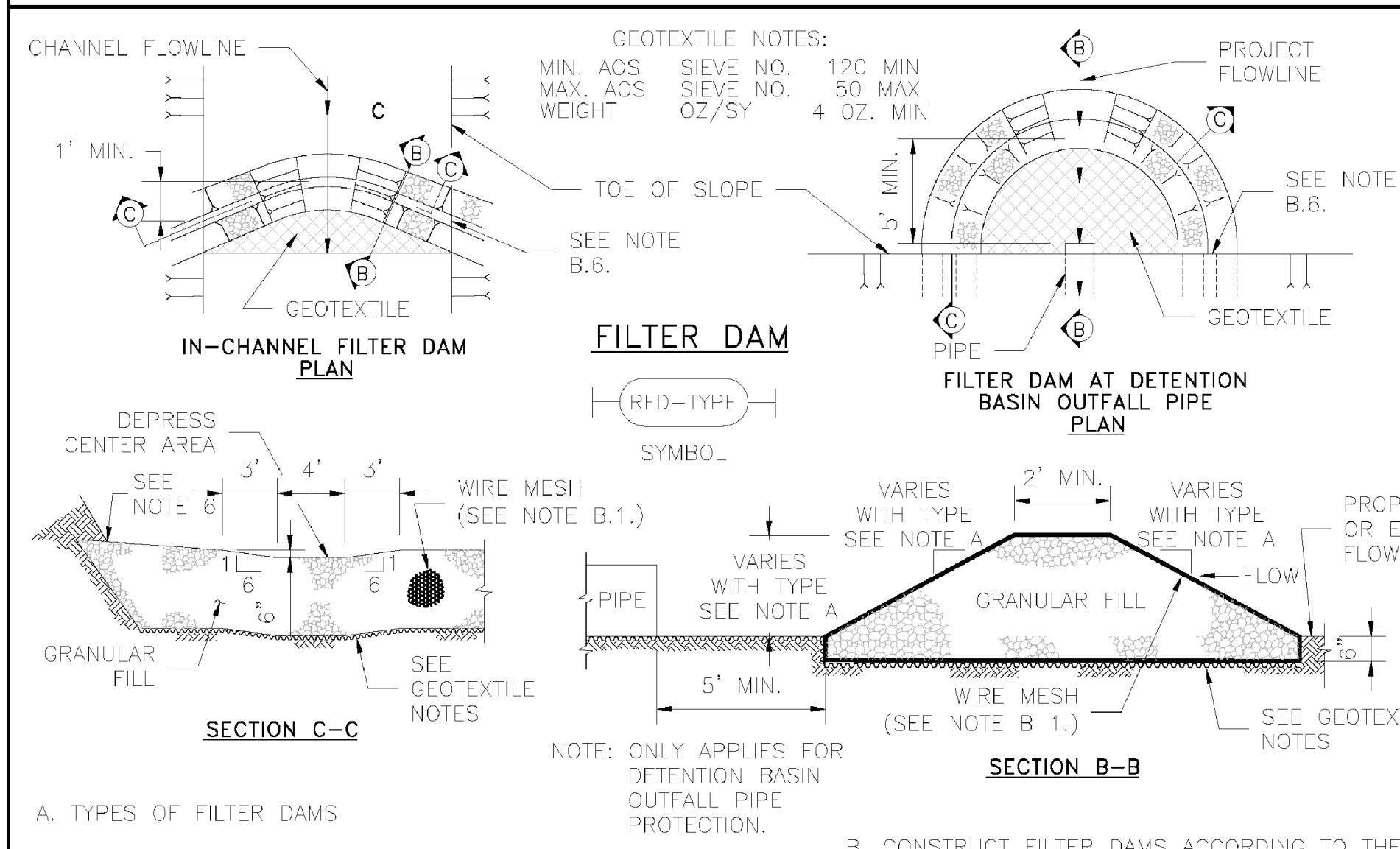
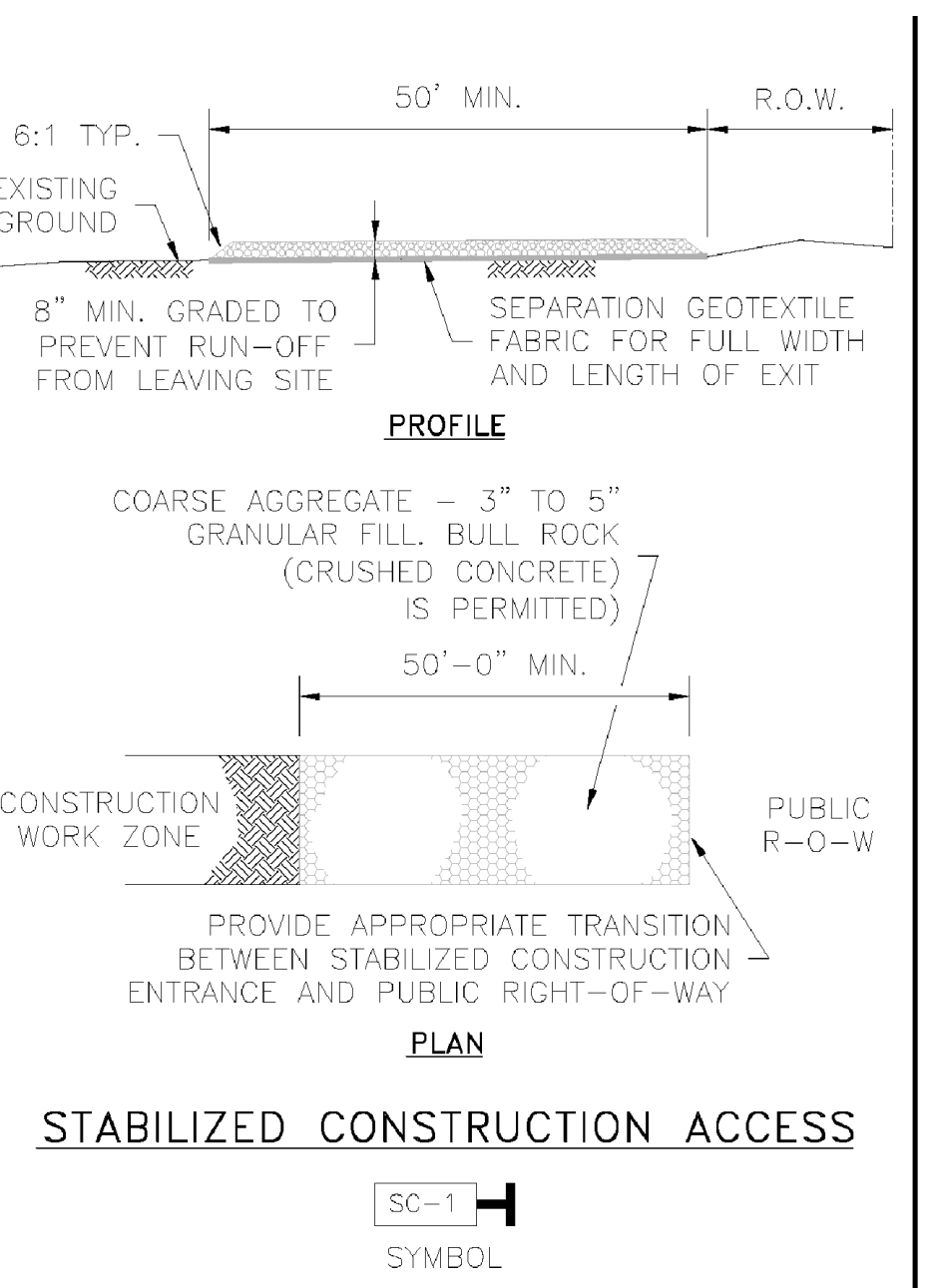
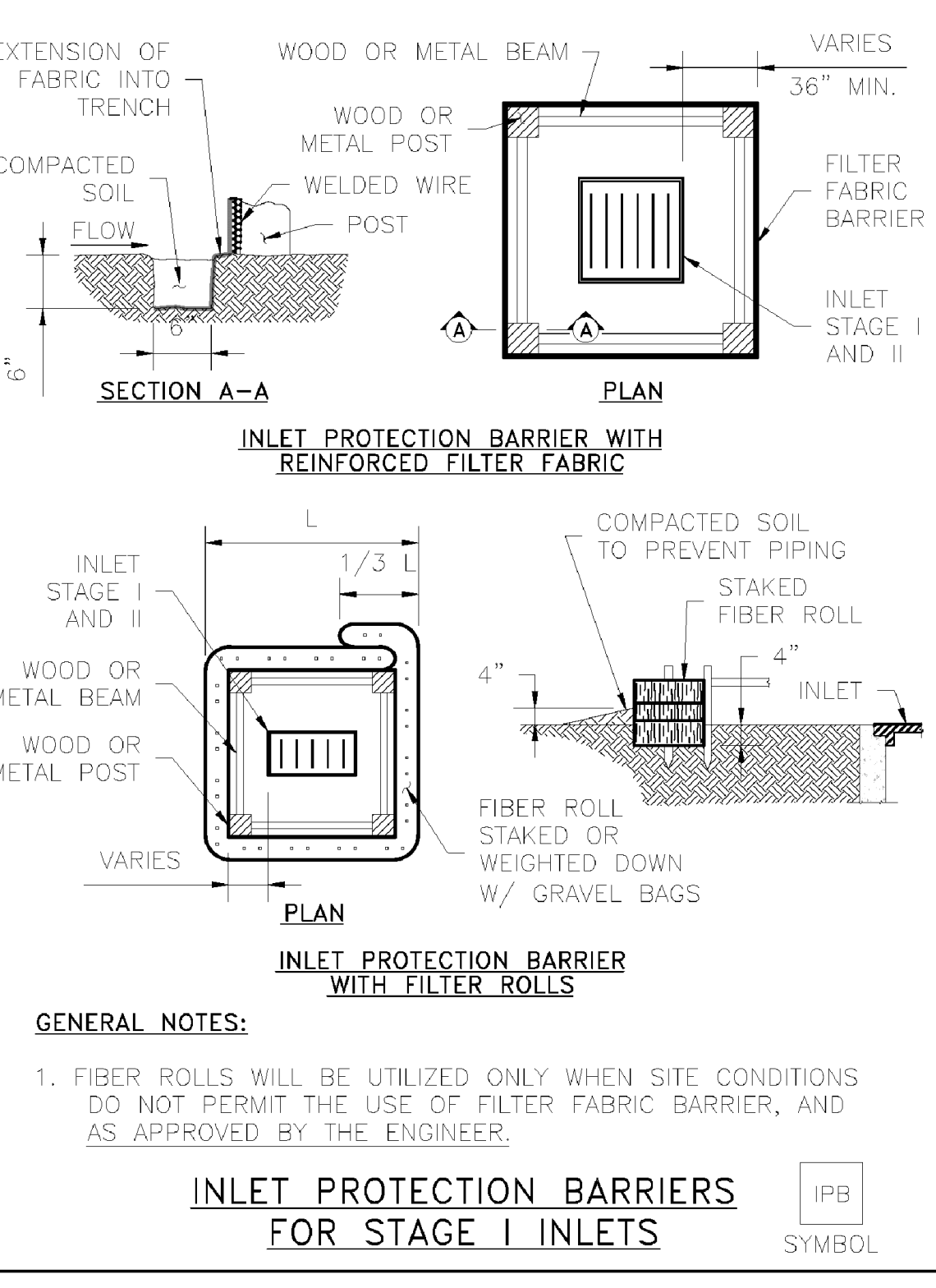
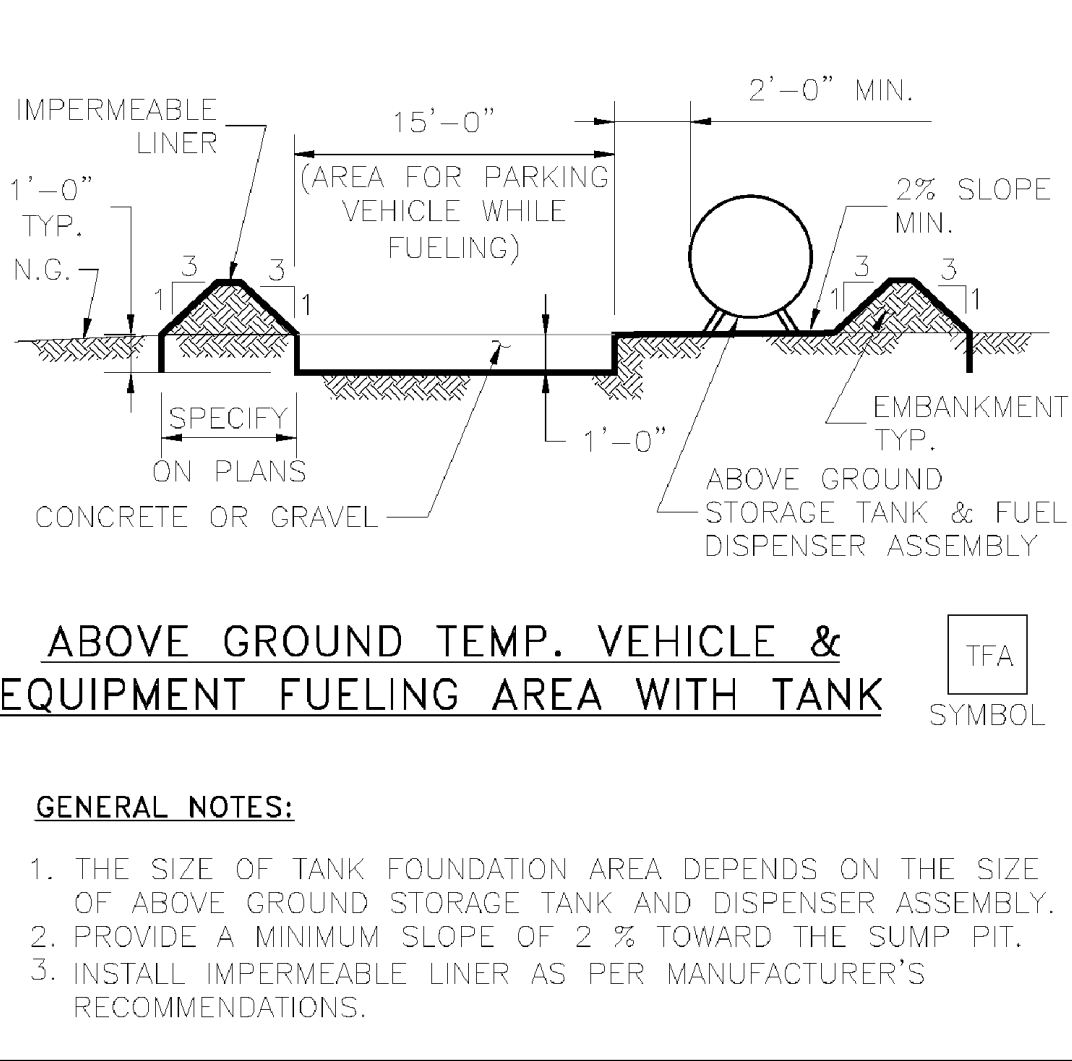
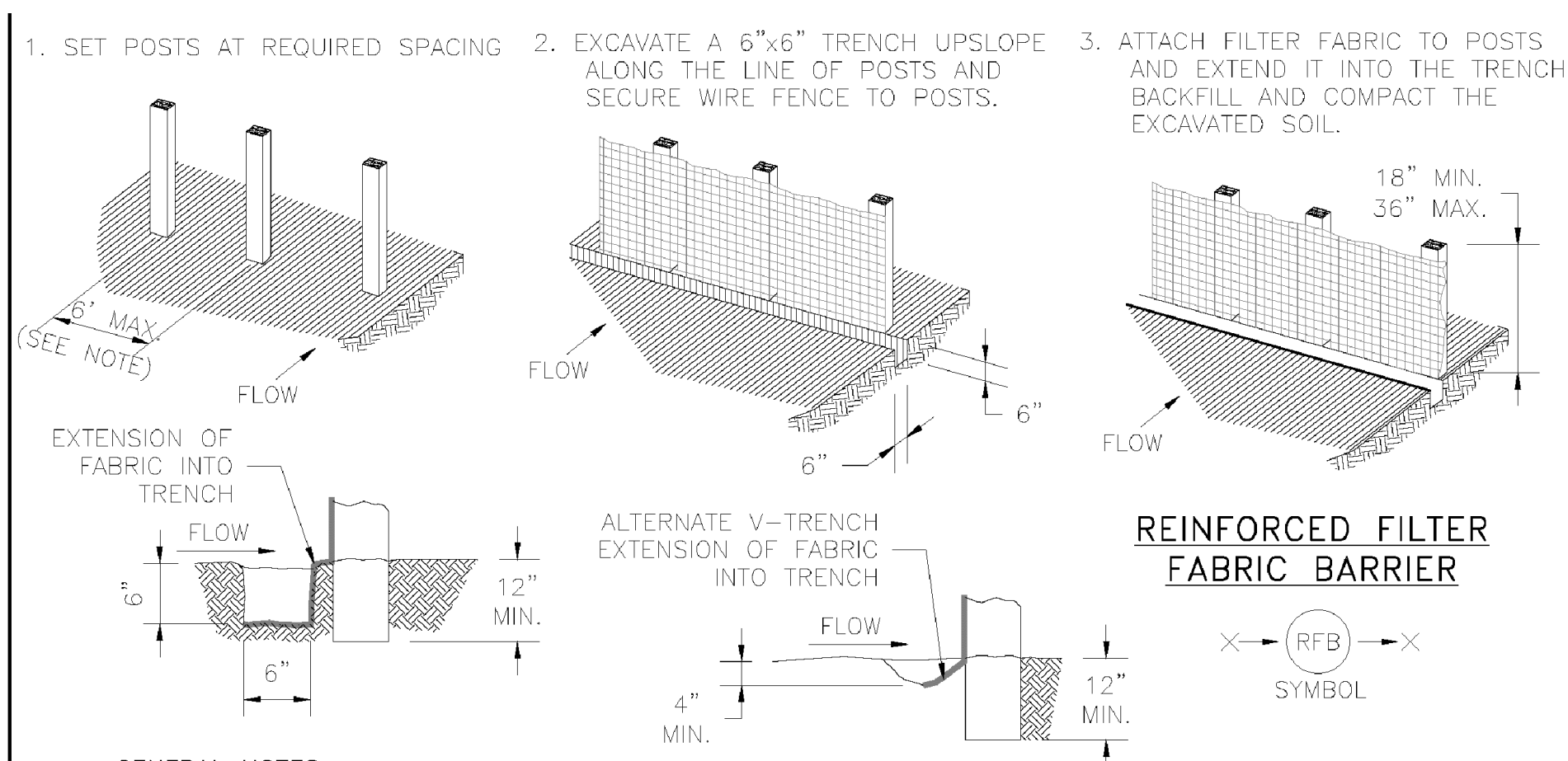
  
**RICHARD H. GHANEM**  
 69788  
 REGISTERED PROFESSIONAL ENGINEER  
 10/22/17  
*Richard Ghanem*

NO.	REVISIONS	DATE	NAME

SWPP PLAN DETAILS

SURVEYOR:  
SCALE: N.T.S.  
DATE: 10/22/17  
EFC PN: CIV-389-15

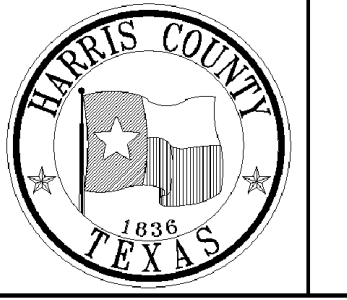
DESIGNED BY: LG  
DRAWN BY: LG  
CHECKED BY: RHG  
SHEET NO: C22 DF 38



- A. TYPES OF FILTER DAMS
- TYPE 1 (NON-REINFORCED)
    - HEIGHT - 18-24 INCHES. MEASURE VERTICALLY FROM EXISTING GROUND TO TOP OF FILTER DAM.
    - TOP WIDTH - 2 FEET (MINIMUM)
    - SLOPES - 2:1 (MAXIMUM).
  - TYPE 2 (REINFORCED)
    - HEIGHT - 18-36 INCHES. MEASURE VERTICALLY FROM EXISTING GROUND TO TOP OF FILTER DAM.
    - TOP WIDTH - 2 FEET (MINIMUM).
    - SLOPES - 2:1 (MAXIMUM).
  - TYPE 3 (REINFORCED)
    - HEIGHT - 36-48 INCHES. MEASURE VERTICALLY FROM EXISTING GROUND TO TOP OF FILTER DAM.
    - TOP WIDTH - 2 FEET (MINIMUM).
    - SLOPES - 3:1 (MAXIMUM).
  - TYPE 4 (GABION)
    - HEIGHT - 30 INCHES (MINIMUM). MEASURE VERTICALLY FROM EXISTING GROUND TO TOP OF FILTER DAM.
    - TOP WIDTH - 2 FEET (MINIMUM).
  - TYPE 5. AS SHOWN ON THE PLANS.
- B. CONSTRUCT FILTER DAMS ACCORDING TO THE FOLLOWING CRITERIA UNLESS SHOWN OTHERWISE ON THE PLANS.
- TYPE 2 AND 3 FILTER DAMS: SECURE WITH 20 GAUGE GALVANIZED WOVEN WIRE MESH WITH 1 INCH DIAMETER HEXAGONAL OPENINGS.
  - PLACE GRANULAR FILL ON THE WIRE MESH TO HEIGHT AND SLOPES SHOWN ON PLANS OR AS SPECIFIED BY THE ENGINEER.
    - 3-5 INCHES FOR ROCK FILTER DAM TYPES 1, 2 AND 4.
    - 4-8 INCHES FOR ROCK FILTER DAM TYPE REFER TO GRANULAR FILL IN SPECIFICATION SECTION NO. 02378 RIPRAP AND GRANULAR FILL.
  - FOLD WIRE MESH AT UPSTREAM SIDE OVER GRANULAR FILL AND TIGHTLY SECURED TO ITSELF ON THE DOWNSTREAM SIDE USING WIRE TIES OR HOG RINGS.
  - IN STREAMS: SECURE OR STAKE MESH TO STREAM BED PRIOR TO AGGREGATE PLACEMENT.
  - SEE HCFCD SPECIFICATION SECTION NO. 02364-FILTER DAMS.
  - EMBED ONE FOOT MINIMUM INTO SLOPE AND RAISE ONE FOOT HIGHER THAN CENTER OF DEPRESSED AREA AT SLOPE.

NO.	REVISIONS	DATE	NAME
▲	UPDATED DEPARTMENT NAME	2/17/15	RS
▲			
▲			
▲			

HARRIS COUNTY  
ENGINEERING DEPARTMENT



CONSULTANT  
LOGO/INFORMATION

ENGINEERS  
SEAL

PROJECT TITLE:  
**STORM WATER POLLUTION PREVENTION PLAN DETAILS**

DRAWN BY: <b>JDZ</b>	HCD STANDARD <b>29</b>
SCALE: <b>NONE</b>	SHEET NO: <b>/</b>