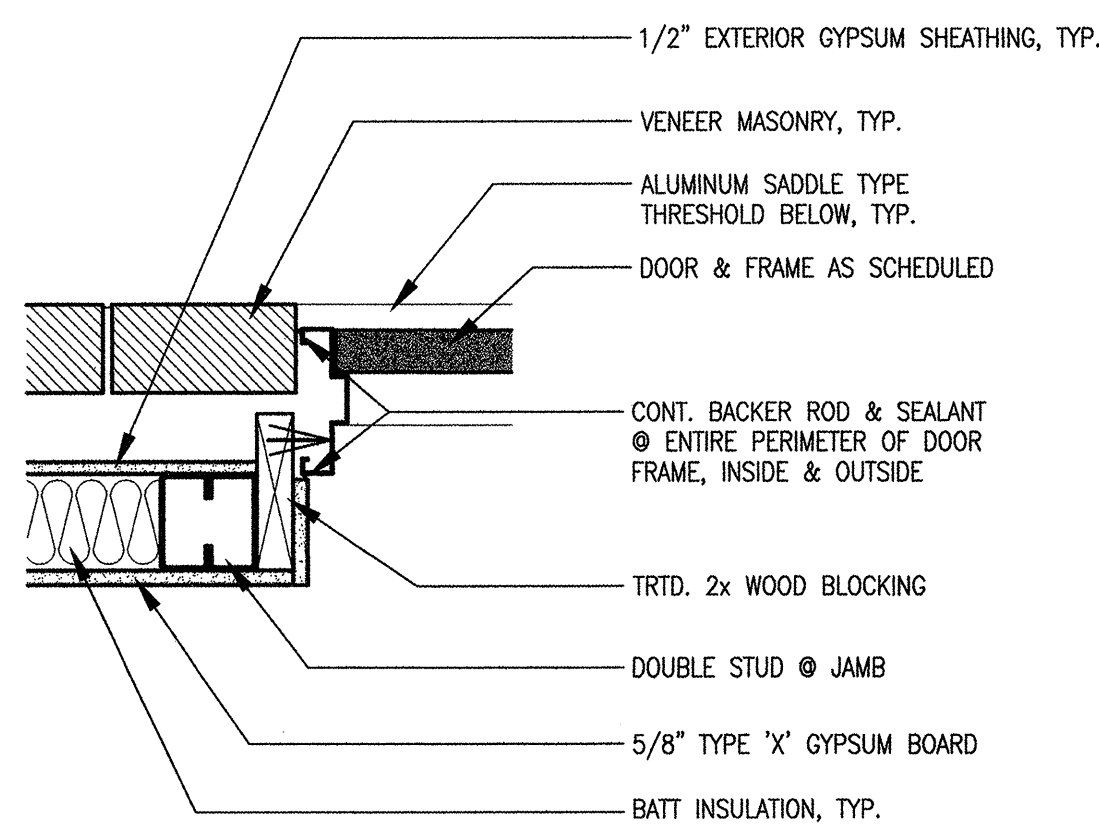


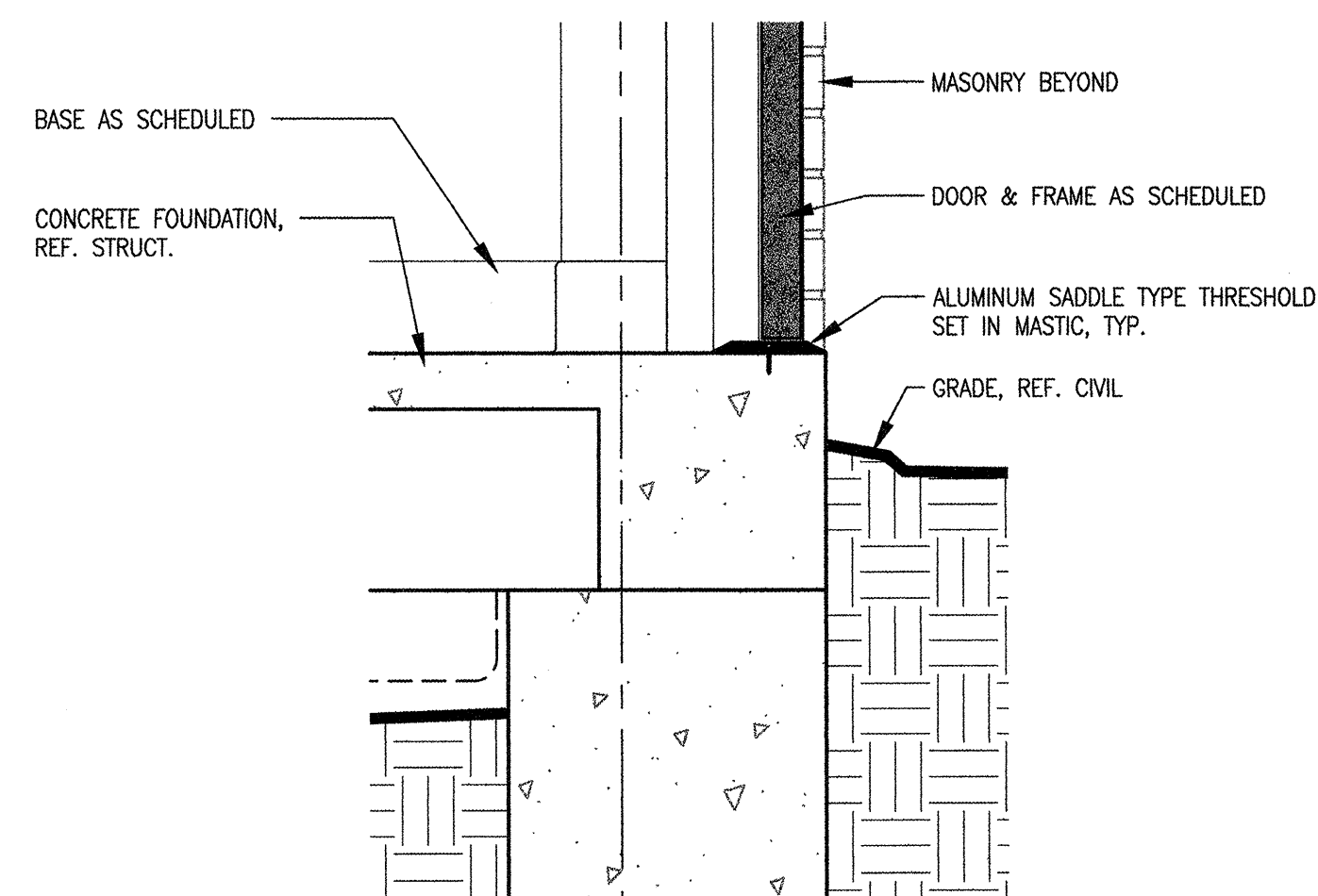
0 8" 1'4"
SCALE: 1-1/2" = 1'0"

DOOR HEAD @ MASONRY WALL (12)



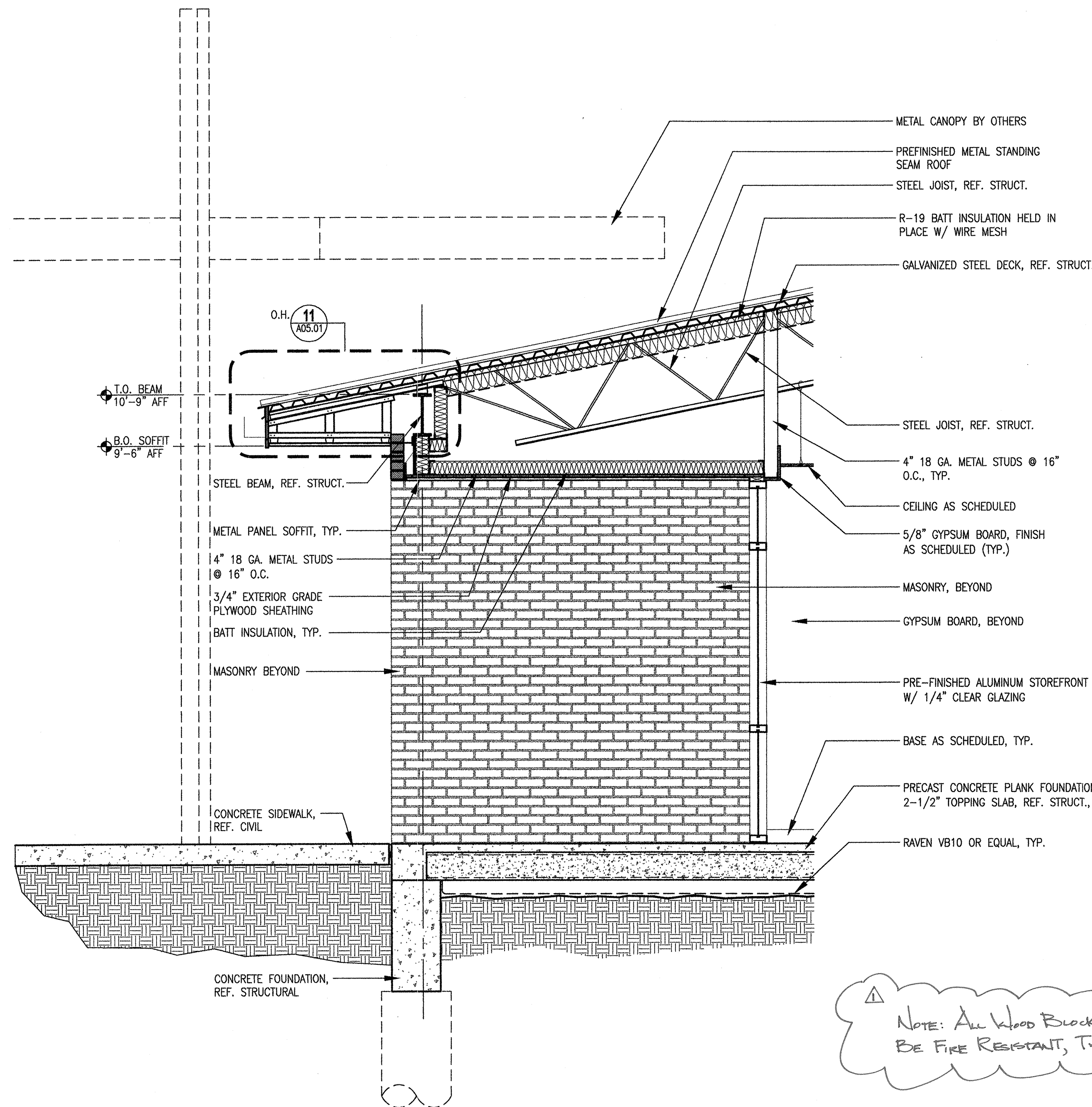
0 8" 1'4"
SCALE: 1-1/2" = 1'0"

DOOR JAMB @ MASONRY WALL (08)



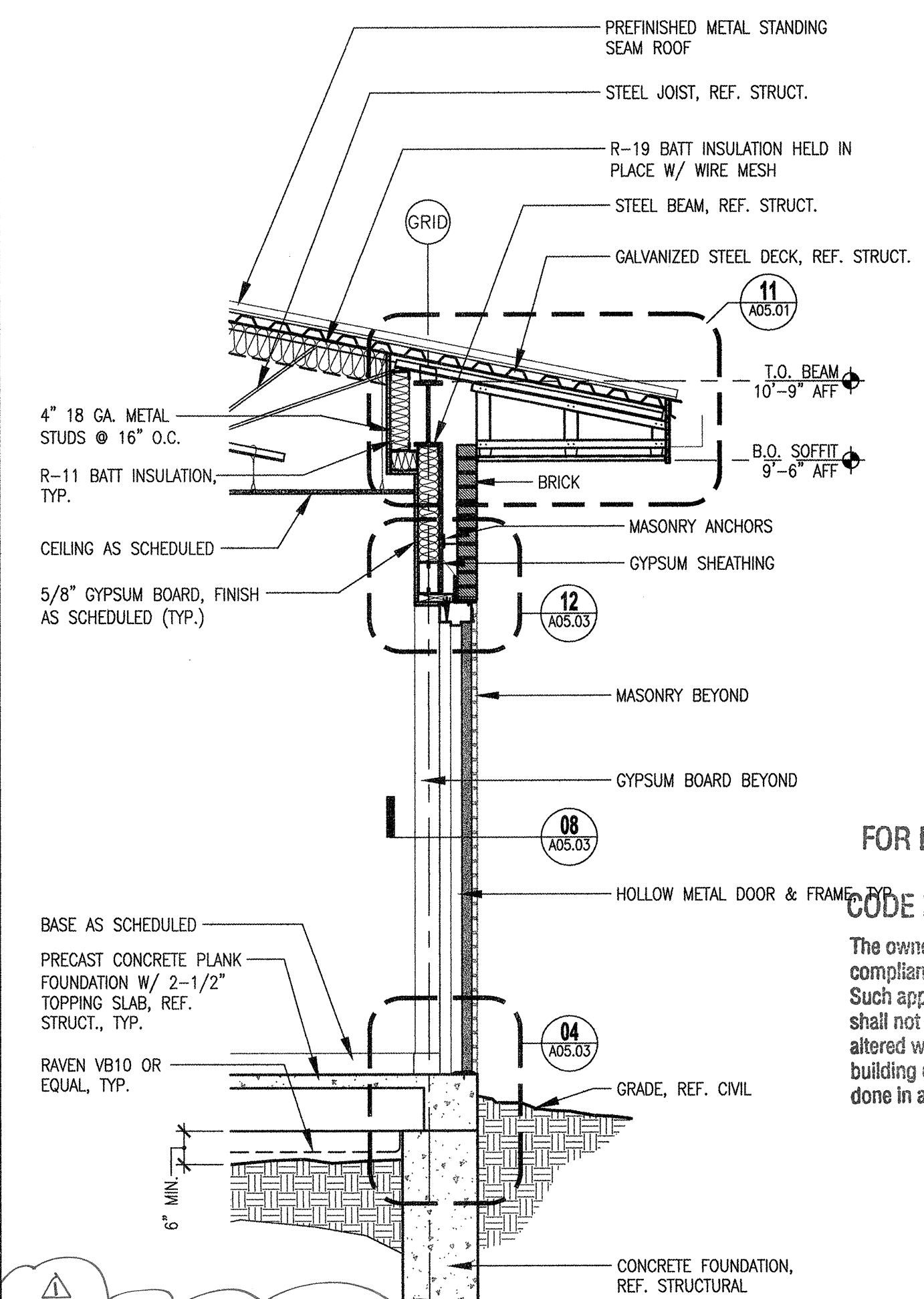
0 8" 1'4"
SCALE: 1-1/2" = 1'0"

DOOR SILL @ MASONRY WALL (04)



0 2'0" 4'0"
SCALE: 1/2" = 1'0"

WALL SECTION @ ENTRANCE DOOR (02)



0 2'0" 4'0"
SCALE: 1/2" = 1'0"

TYPICAL WALL SECTION @ EXTERIOR DOOR (01)

NOTE: All Wood Blocking To Be Fire Resistant, Typ.

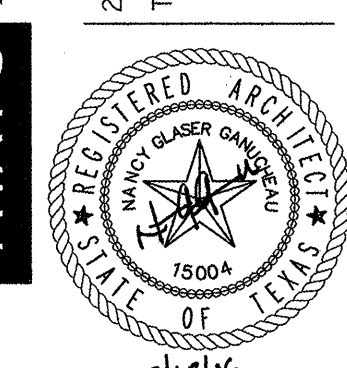
NOTE: All Wood Blocking To Be Fire Resistant, Typ.



Community Family Centers
Centros Familiares de la Comunidad

John P. McGovern, M.D.
Community Sports & Recreation Building
7318 AVENUE F
HOUSTON, TEXAS 77011

THAT'S ARCHITECTURE
2402 COMMONWEALTH #100, HOUSTON, TX 77006
TELEPHONE 713/222-4406 FAX 713/222-5506



ISSUES & REVISIONS
09/18/06 ISSUE FOR PERMIT
2/24/07 CITY COMMENTS

APPROVED
FOR BUILDING PERMIT ONLY
CITY OF HOUSTON
CODE ENFORCEMENT DIVISION

The owner is responsible for compliance with the Building Code. Such approved plans and specifications shall not be changed, modified or altered without authorization from the building official, and all work shall be done in accordance with the approved plans.

SHEET TITLE
NO. 308
EXTERIOR WALL SECTIONS

PROJECT NO. 2001-30
SCALE AS NOTED

SHEET NUMBER
A05.03