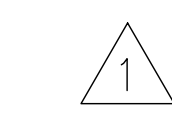
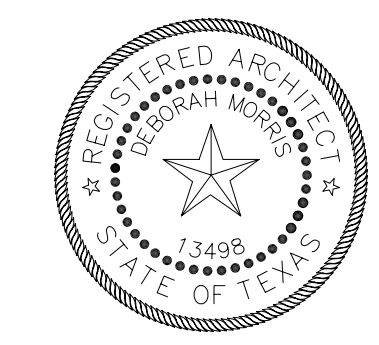


REVISIONS  
NOVEMBER 18, 2009



EL CENTRO DE CORANZÓN CANAL ST.  
7635 CANAL ST.  
HOUSTON, TEXAS 77012

ISSUE FOR PERMIT

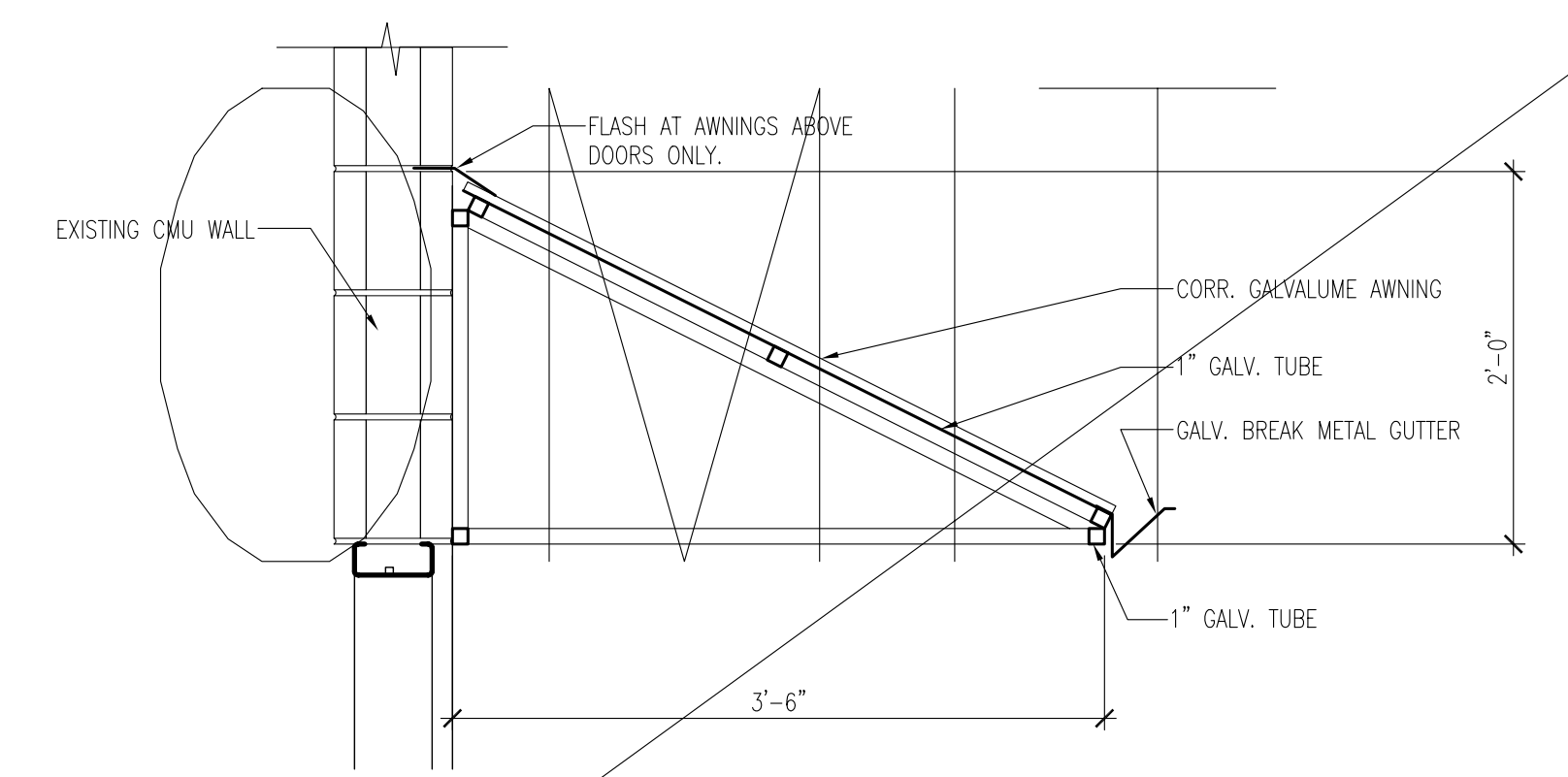


deborah morris studios  
2101 Winter Street, Studio 7  
Houston, Texas 77007  
713 868 2231

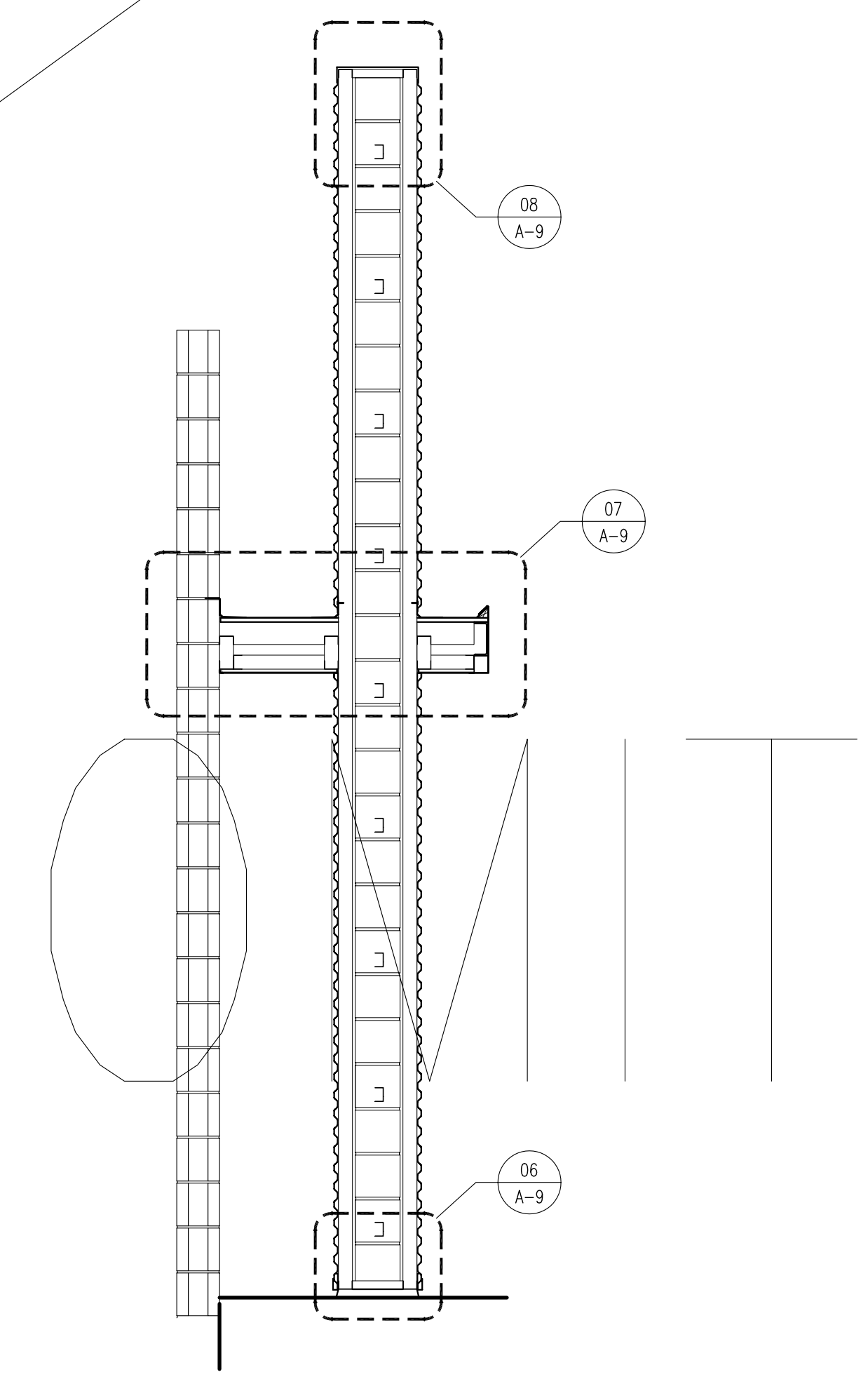
PROJECT ISSUED FOR REVIEW  
OCTOBER 20, 2009

TITLE  
**BUILDING DETAILS**  
SHEET

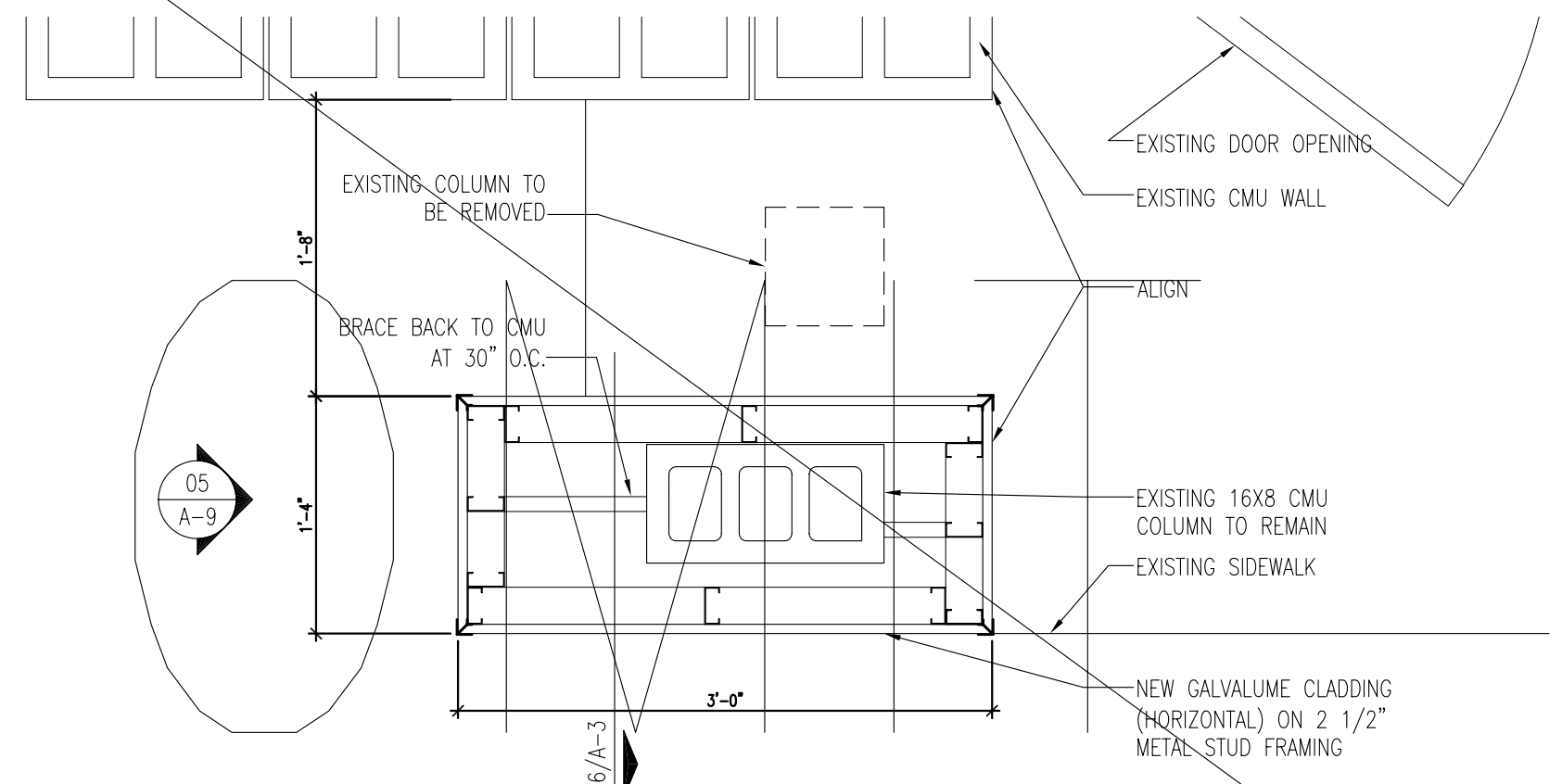
**A-9**



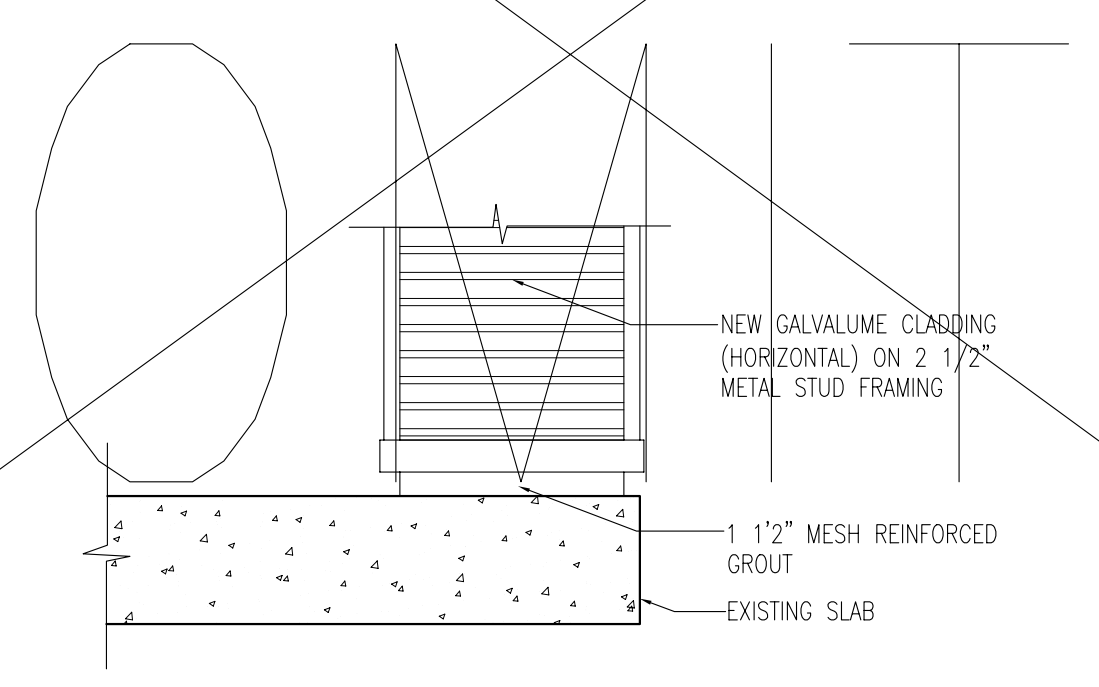
03 SECTION AT CANOPY (TYPICAL)  
SCALE: 1" = 1'-0"



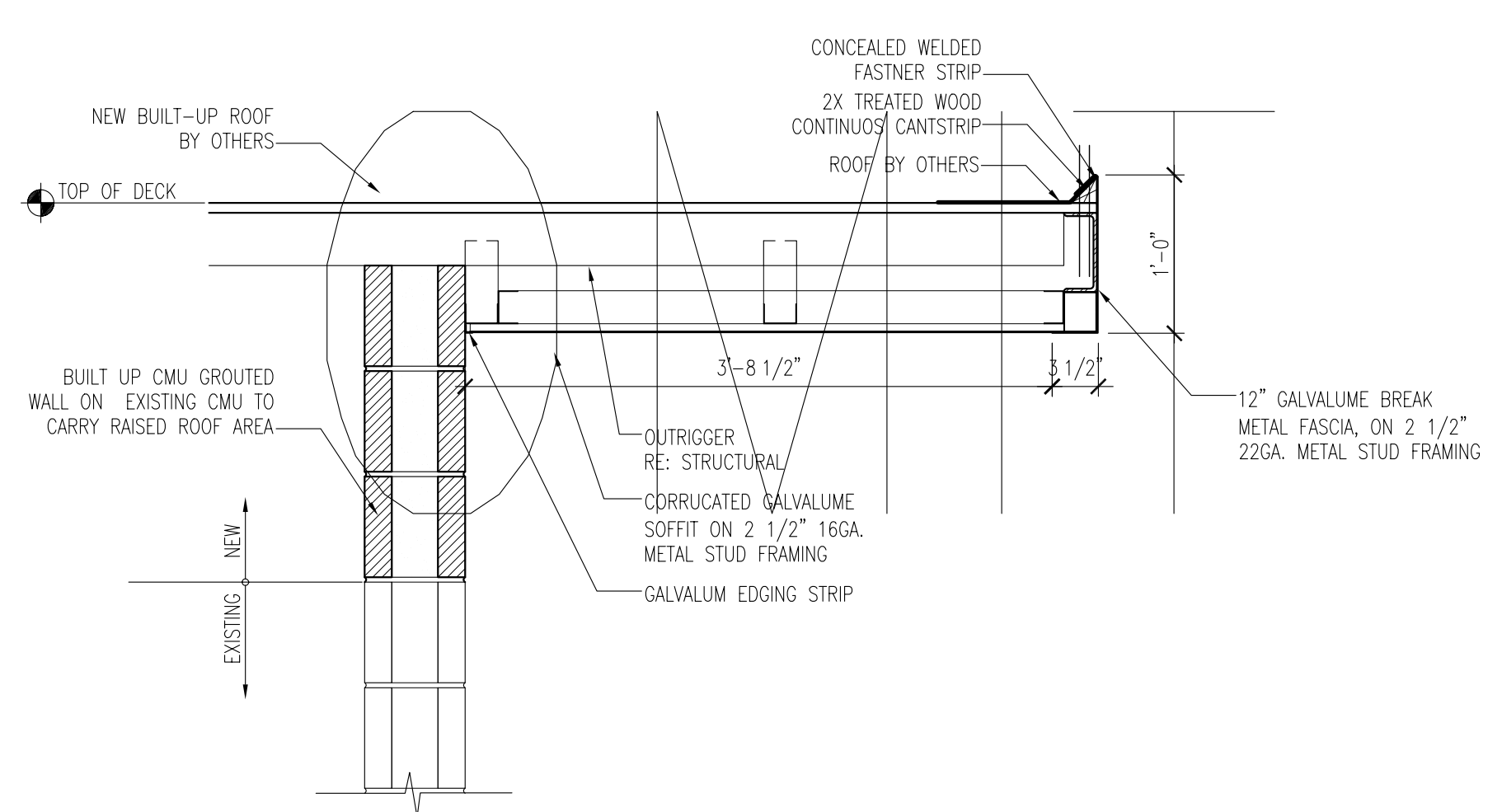
02 SECTION DETAILS OF COLUMN  
SCALE: 1/2" = 1'-0"



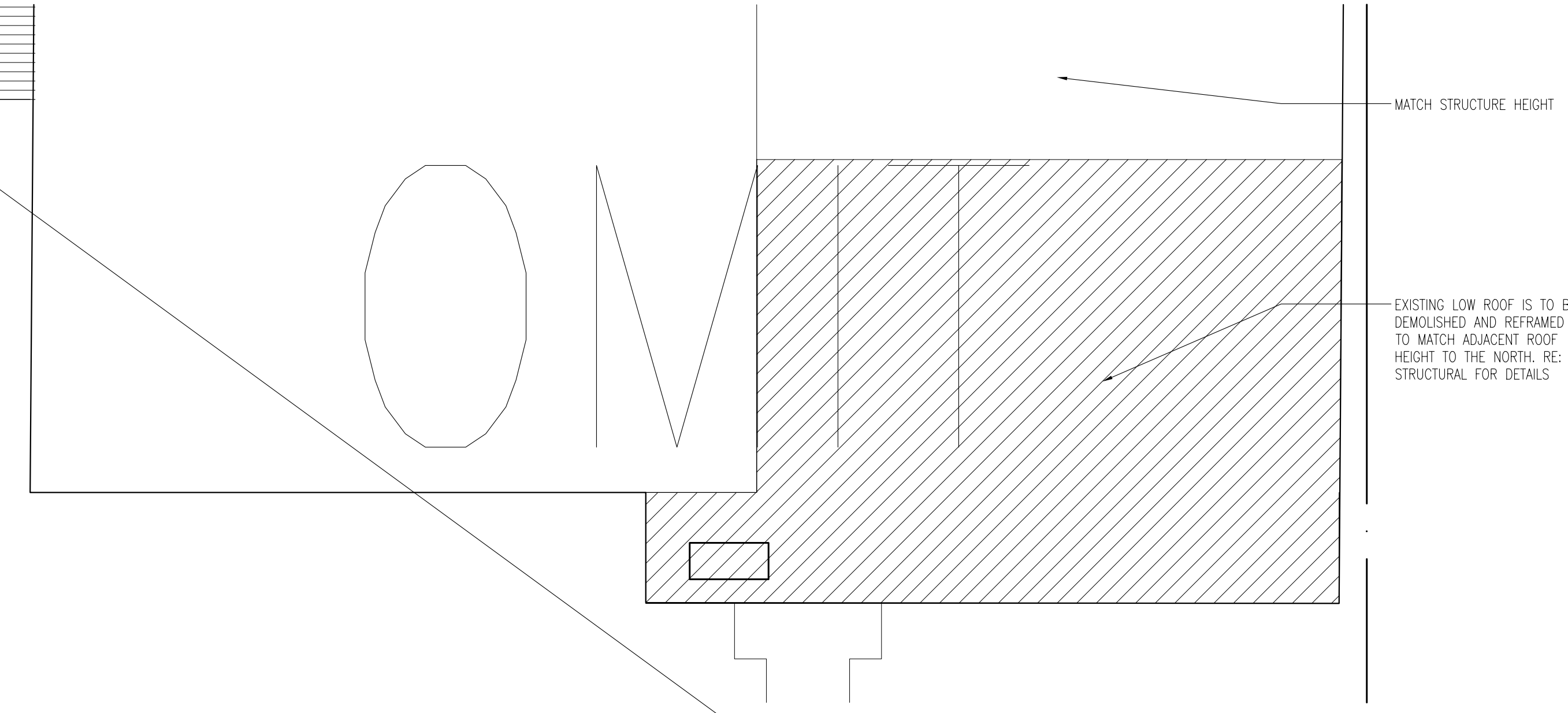
01 DETAIL AT ENTRY COLUMN  
SCALE: 1" = 1'-0"



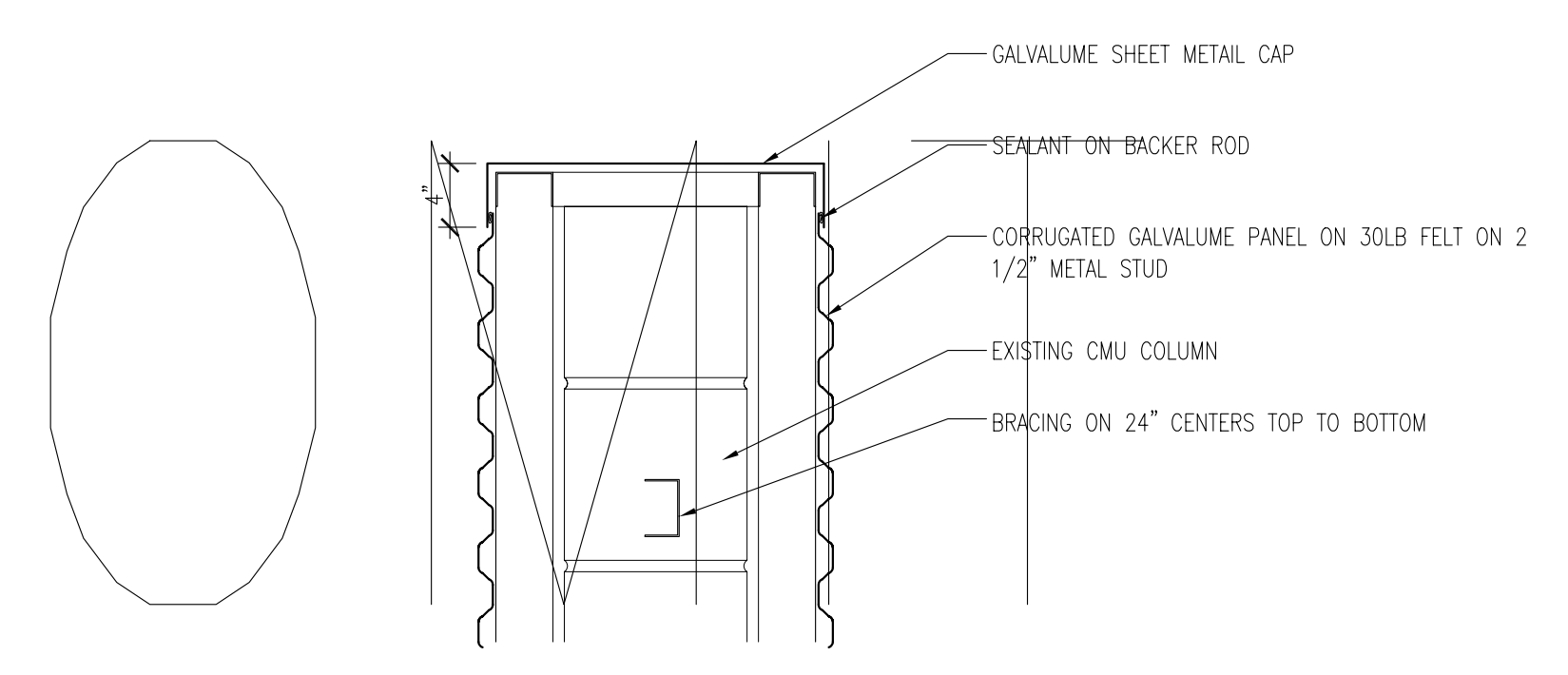
05 DETAIL AT COLUMN  
SCALE: 1" = 1'-0"



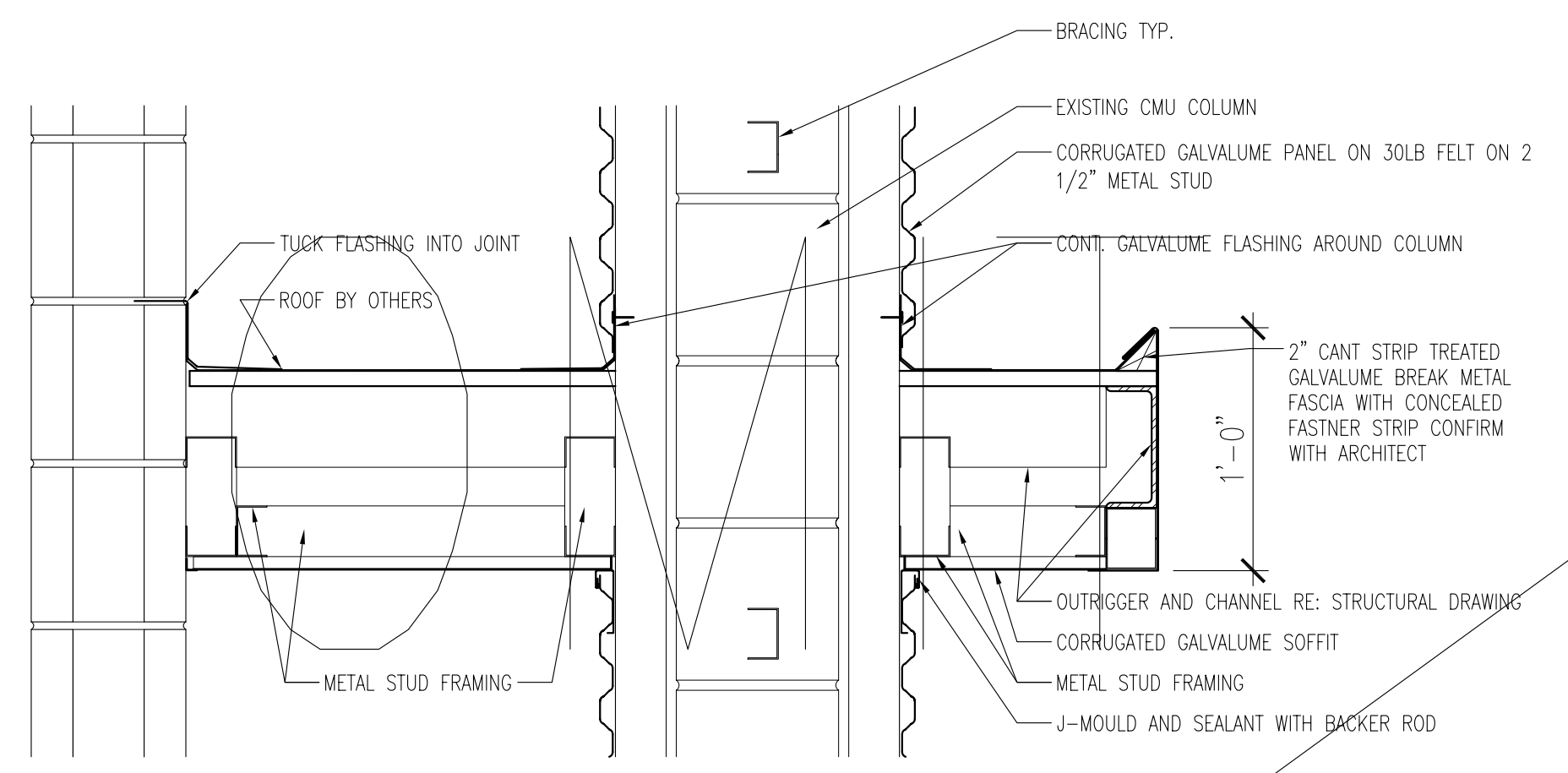
04 SECTION DETAILS OF SOFFIT AND FASCIA  
SCALE: 1" = 1'-0"



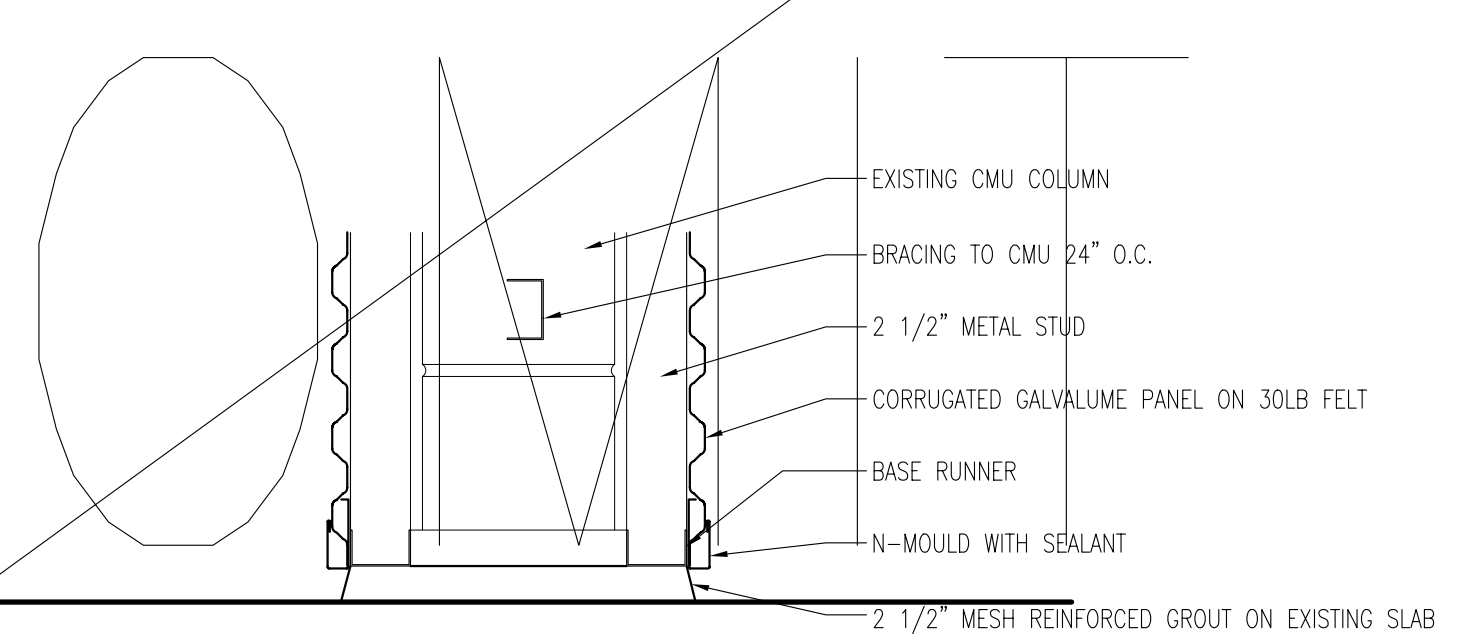
09 PARTIAL ROOF FRAME DEMOLITION  
SCALE: 1/4" = 1'-0"



08 TOP OF COLUMN DETAIL  
SCALE: 1 1/2" = 1'-0"



07 COLUMN AT OVERHANG  
SCALE: 1 1/2" = 1'-0"



06 COLUMN AT BASE DETAIL  
SCALE: 1 1/2" = 1'-0"