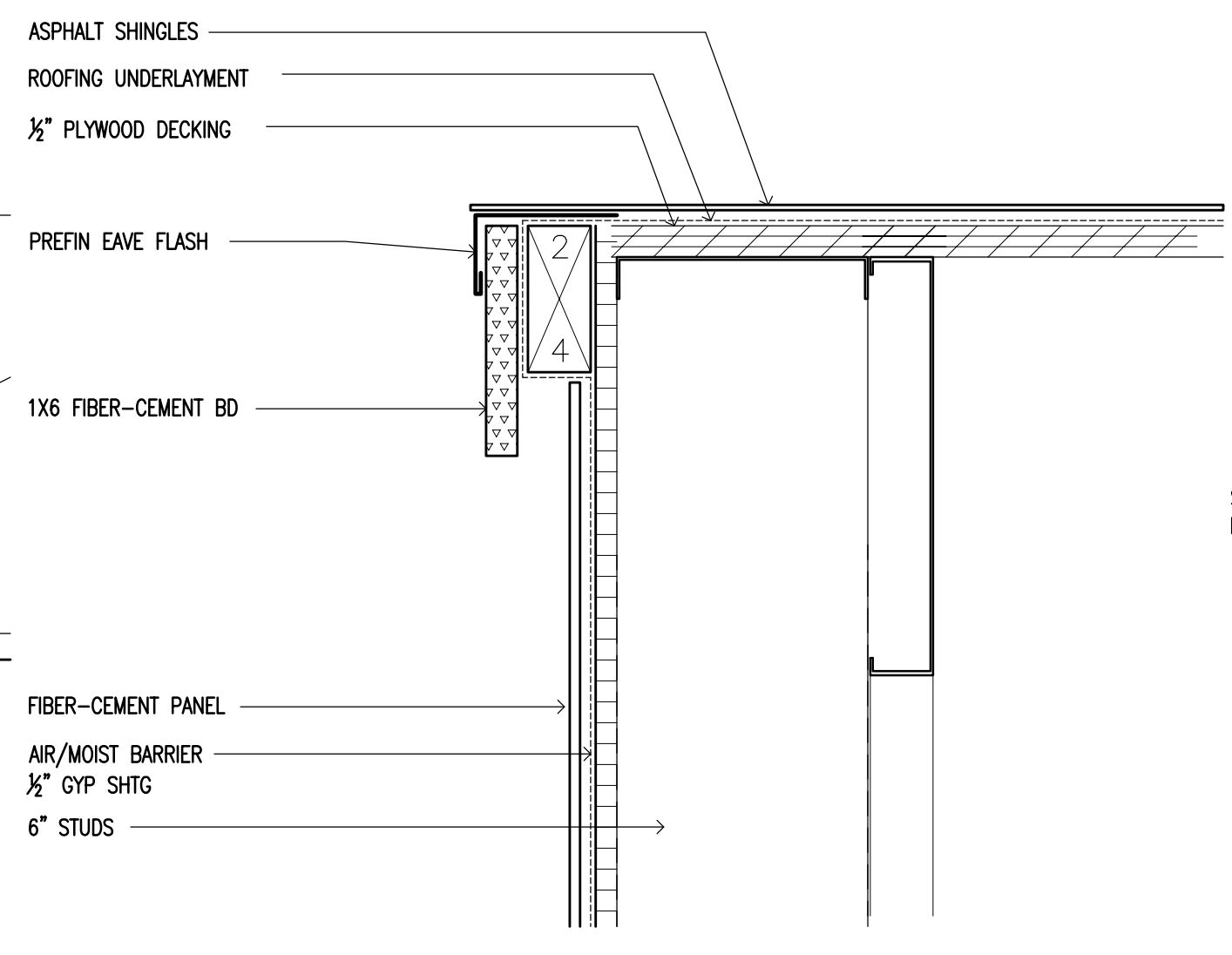
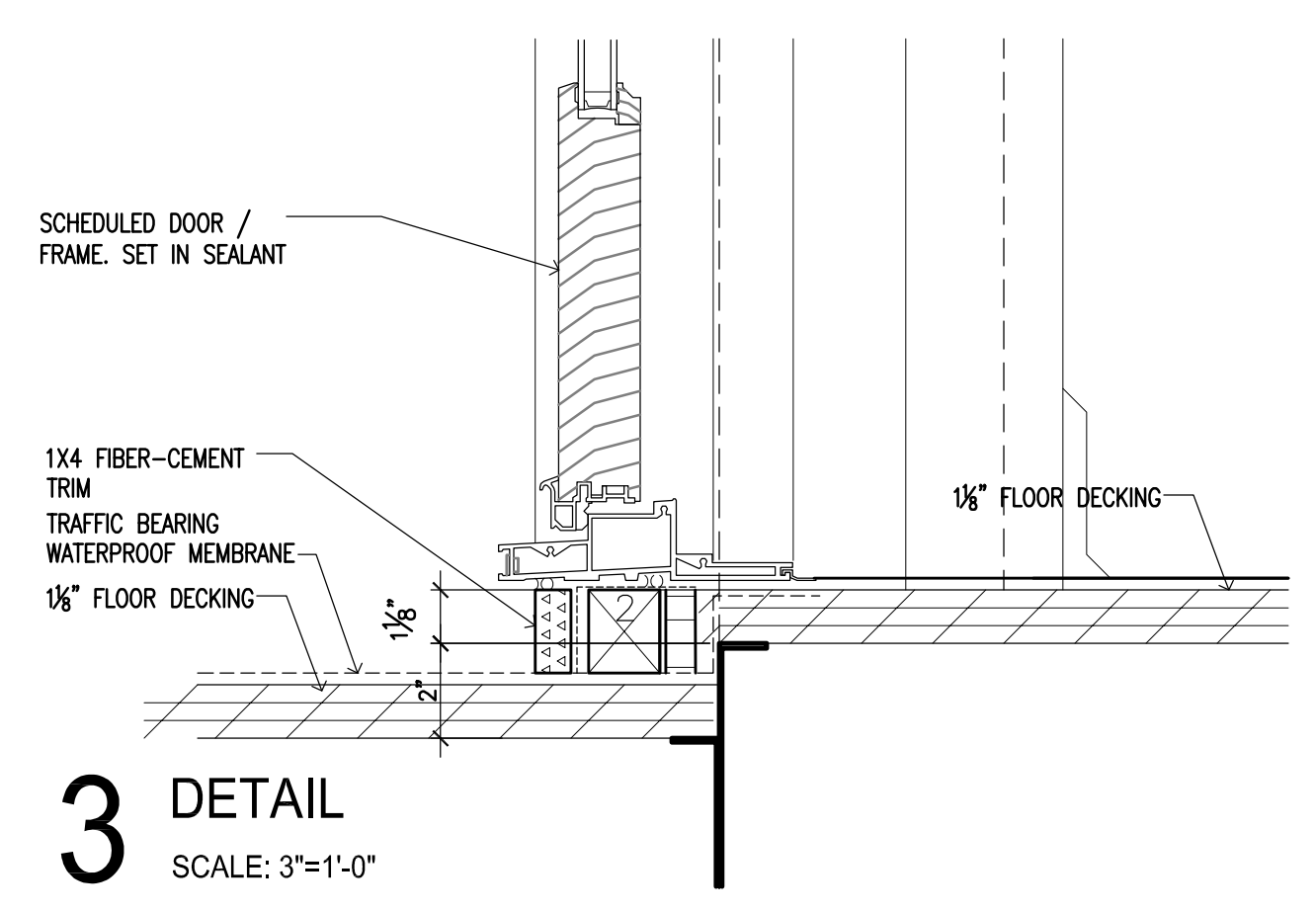


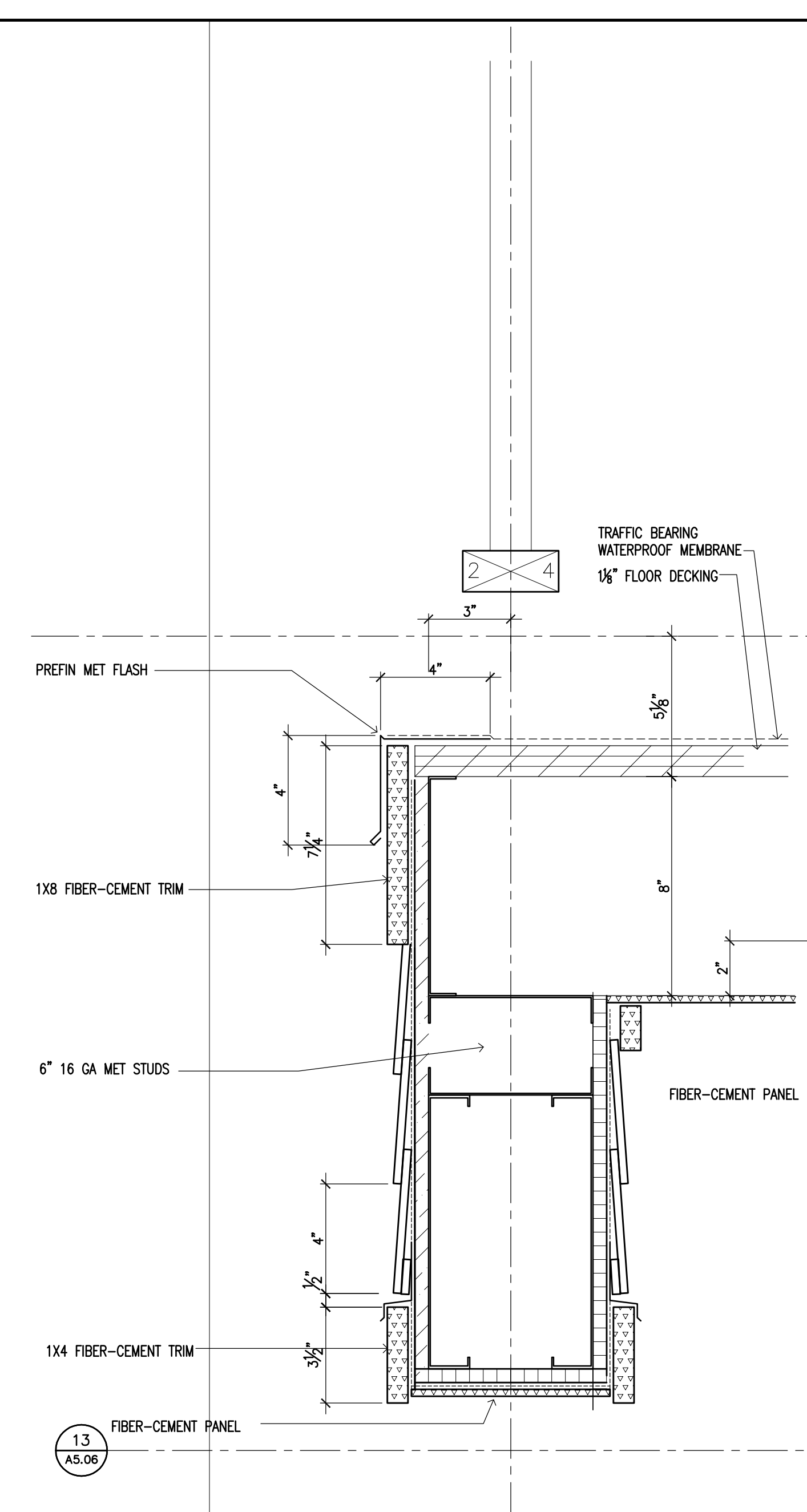
1 DETAIL
SCALE: 3"=1'-0"



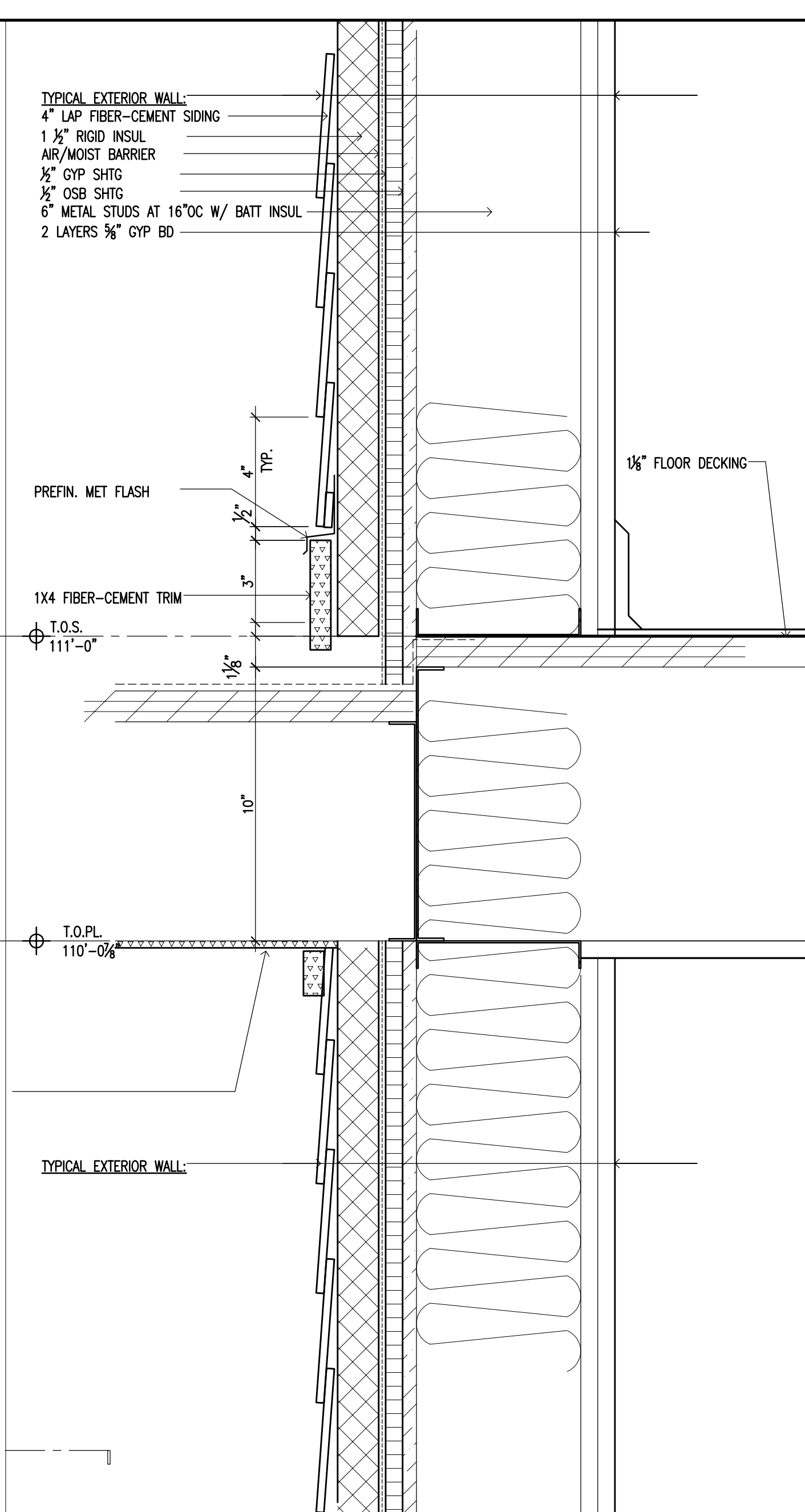
2 DETAIL
SCALE: 3"=1'-0"



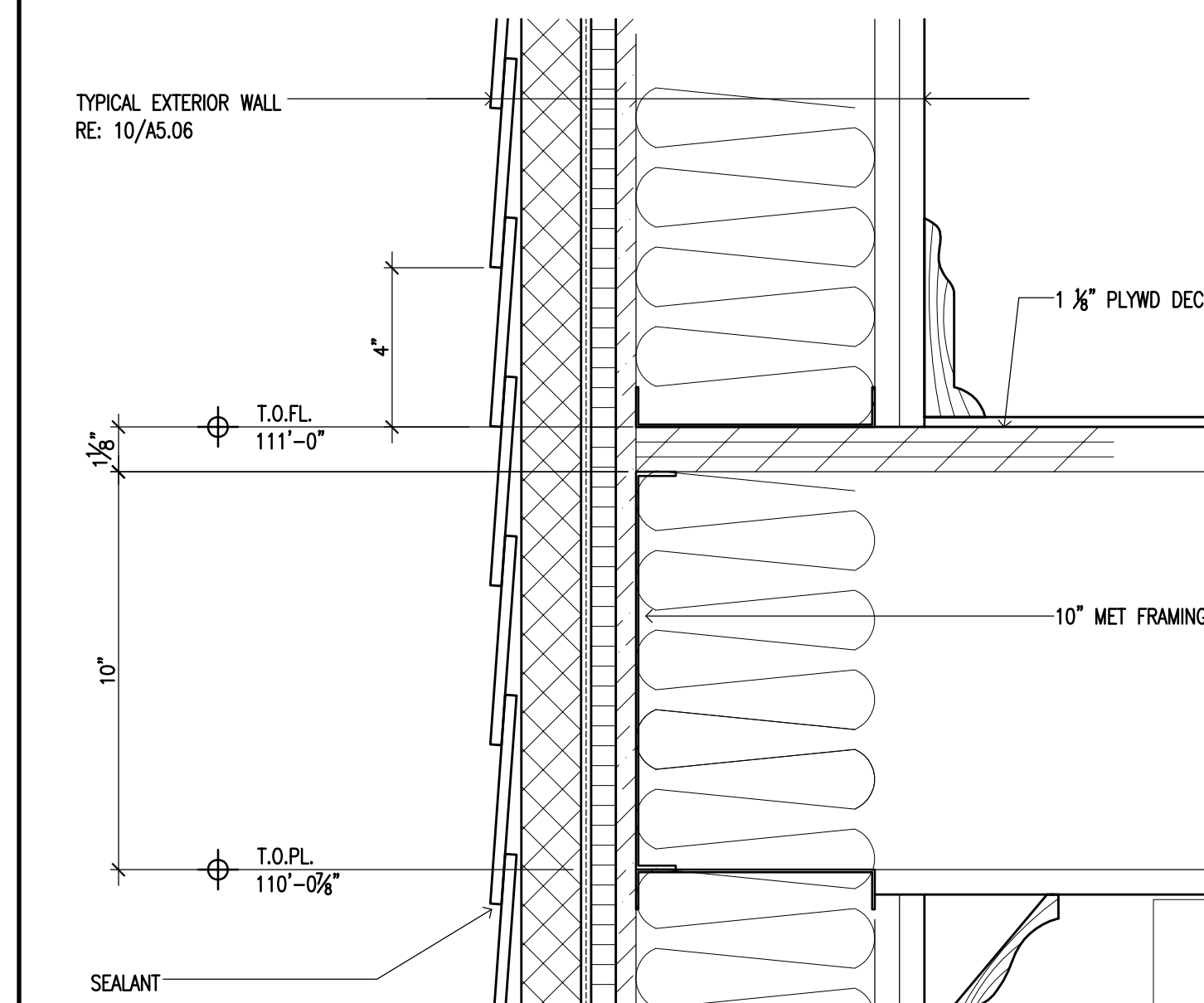
3 DETAIL
SCALE: 3"=1'-0"



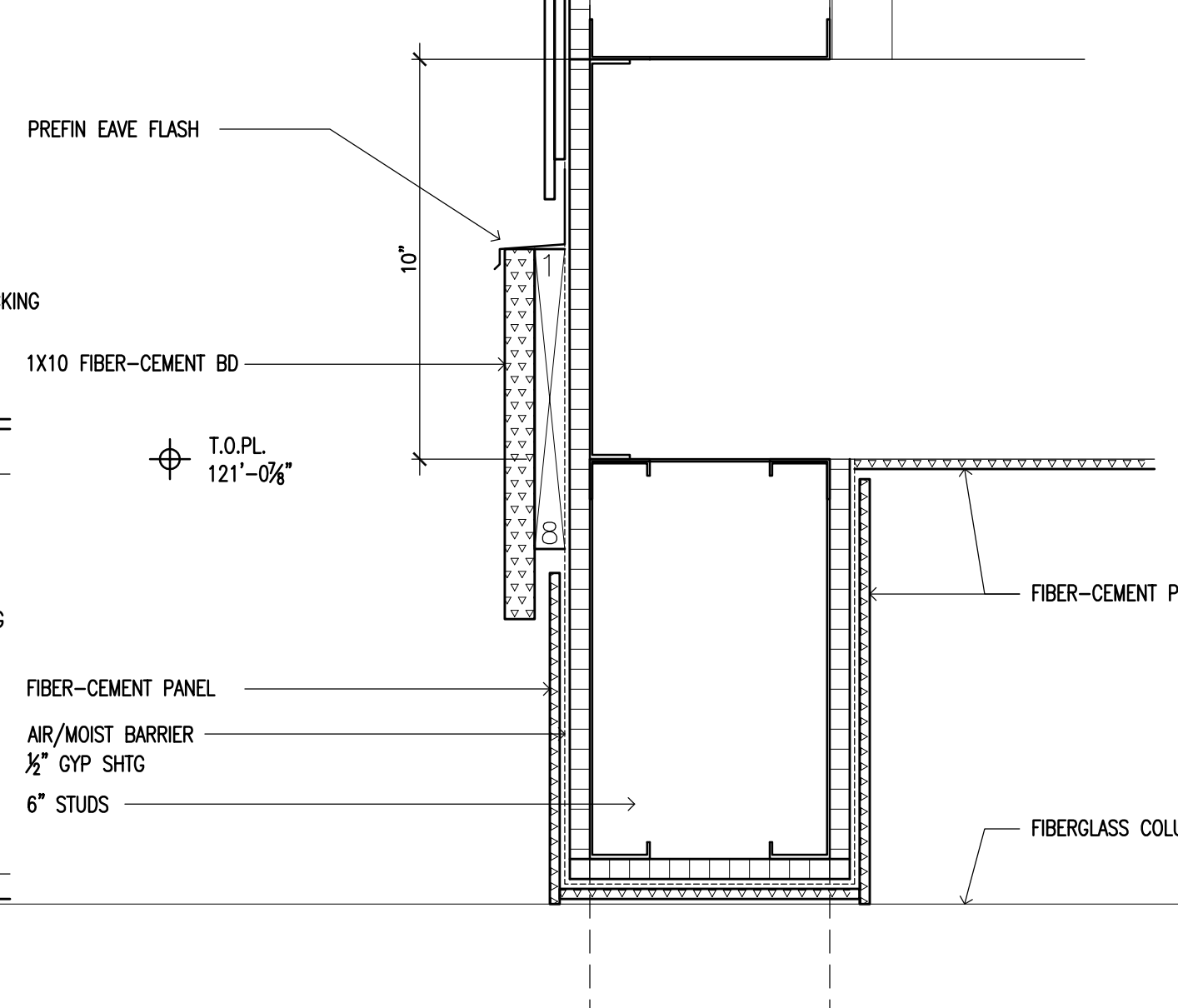
9 DETAIL
SCALE: 3"=1'-0"



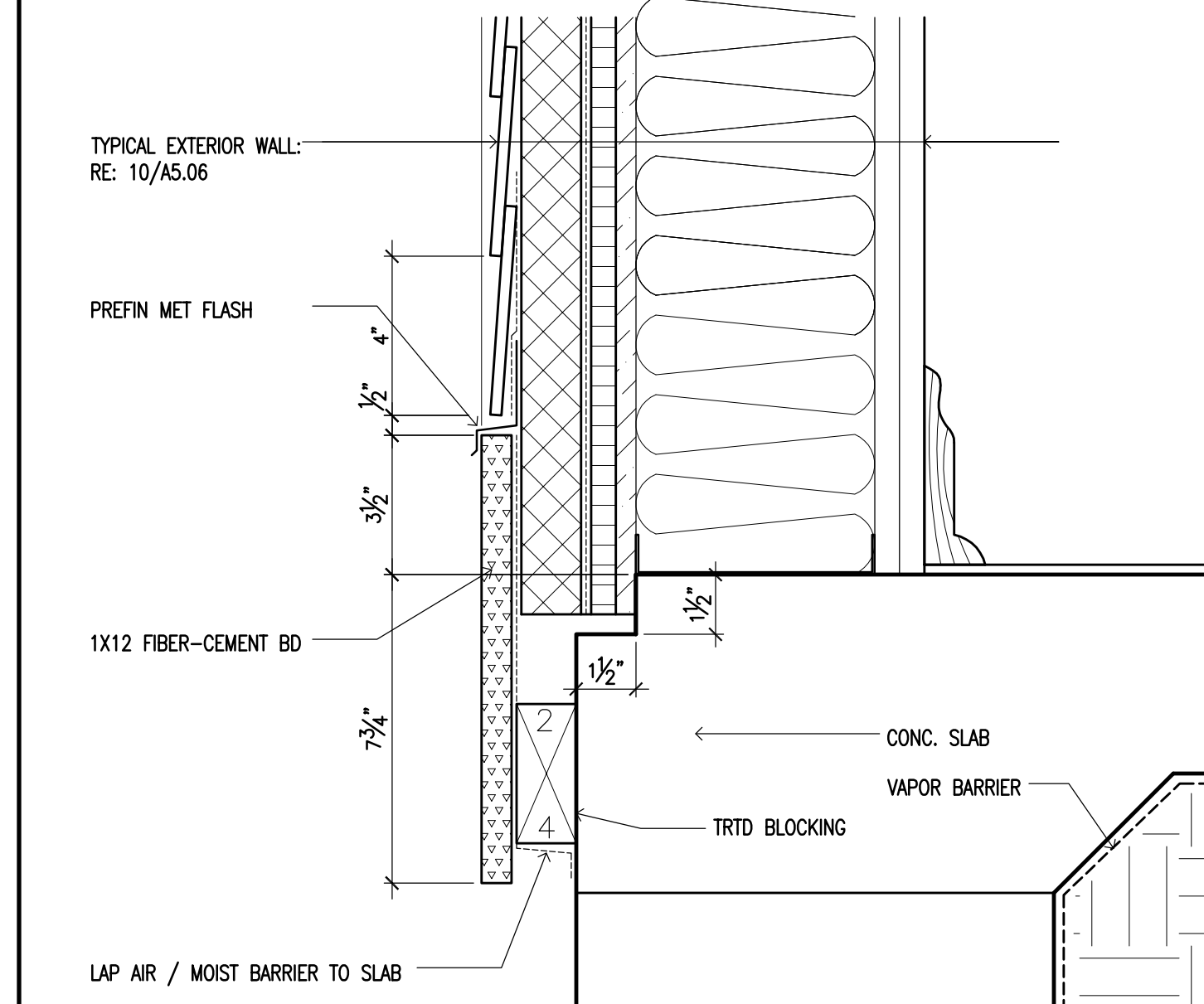
10 DETAIL
SCALE: 3"=1'-0"



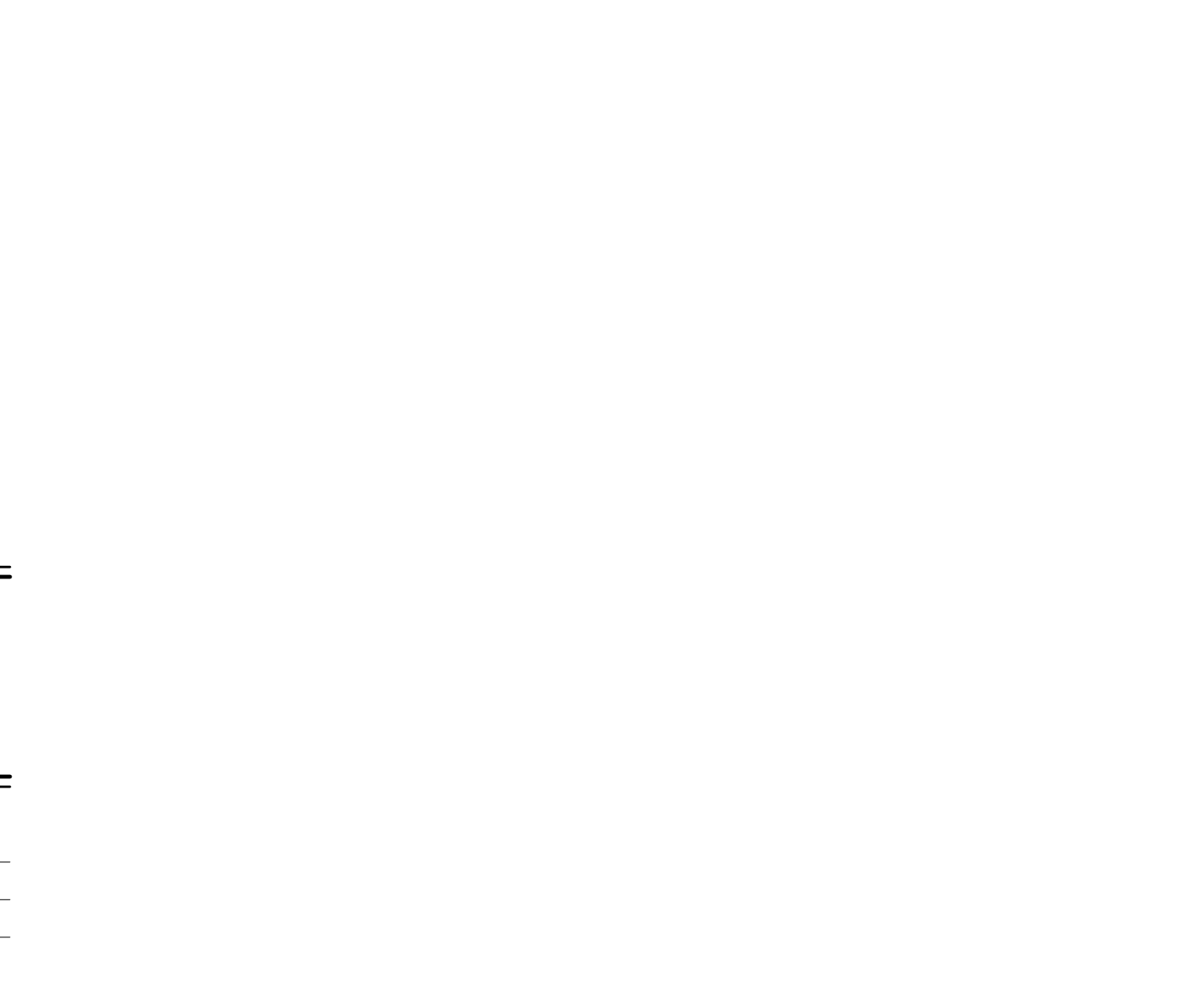
6 DETAIL
SCALE: 3"=1'-0"



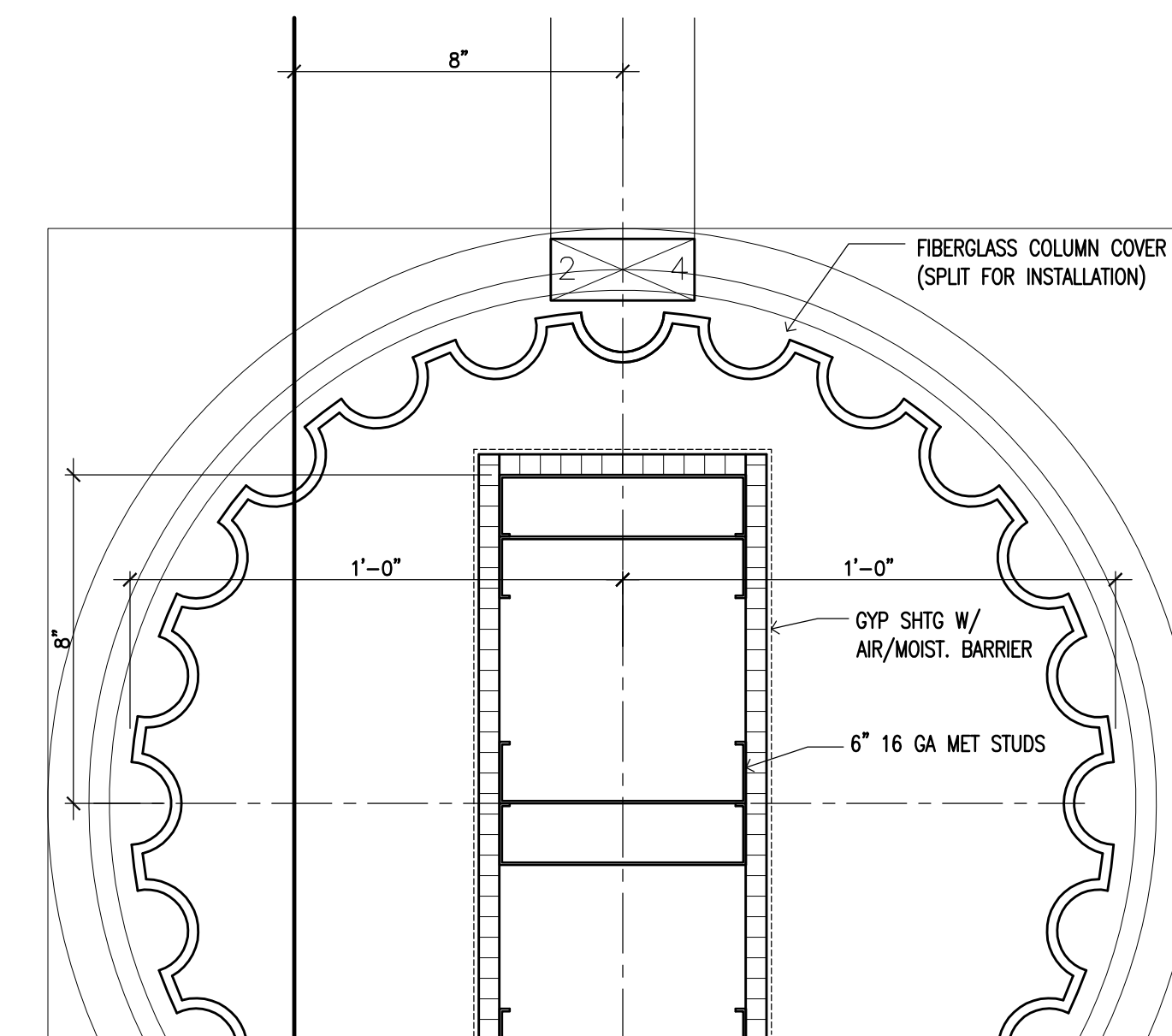
7 DETAIL
SCALE: 3"=1'-0"



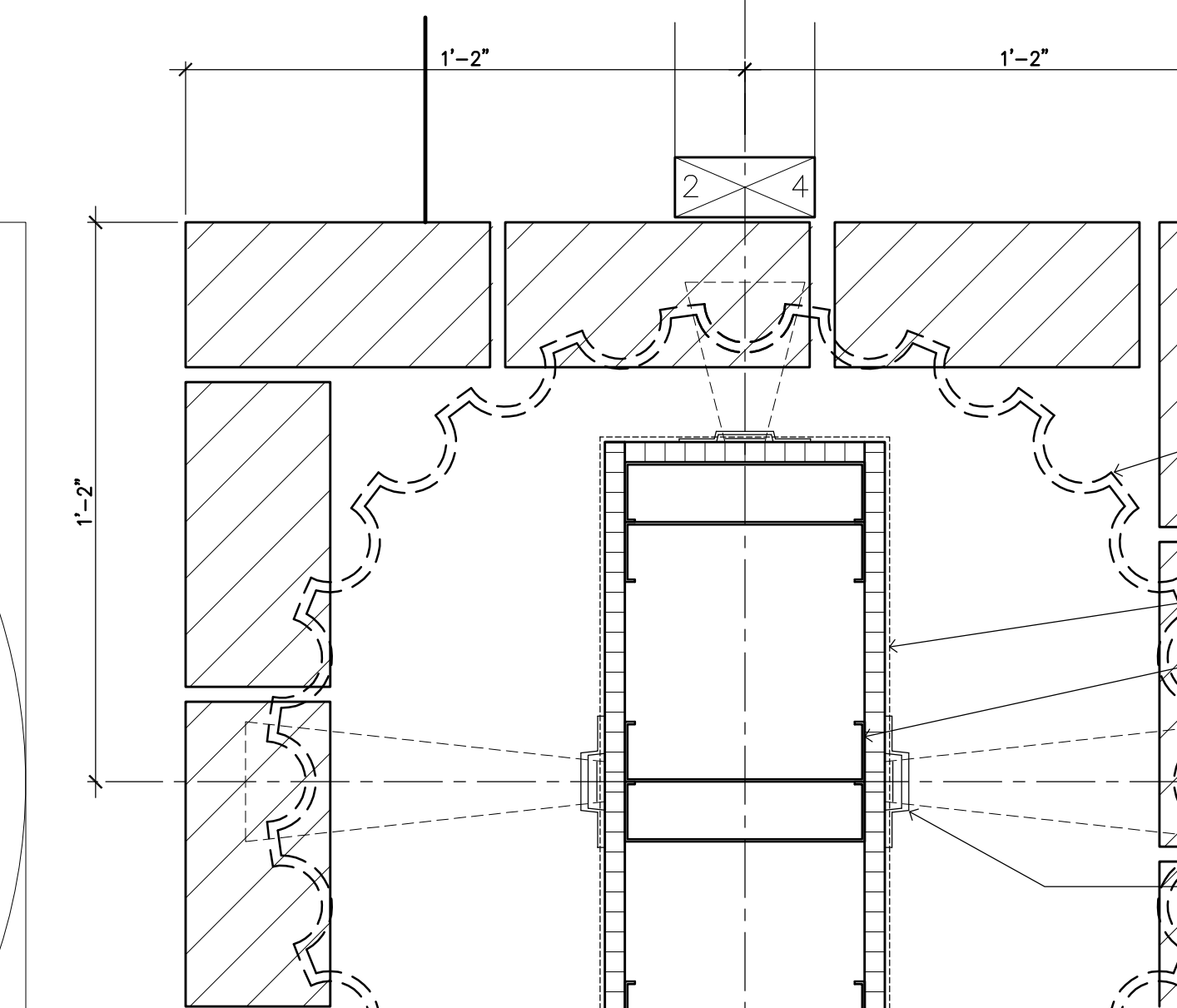
11 DETAIL
SCALE: 3"=1'-0"



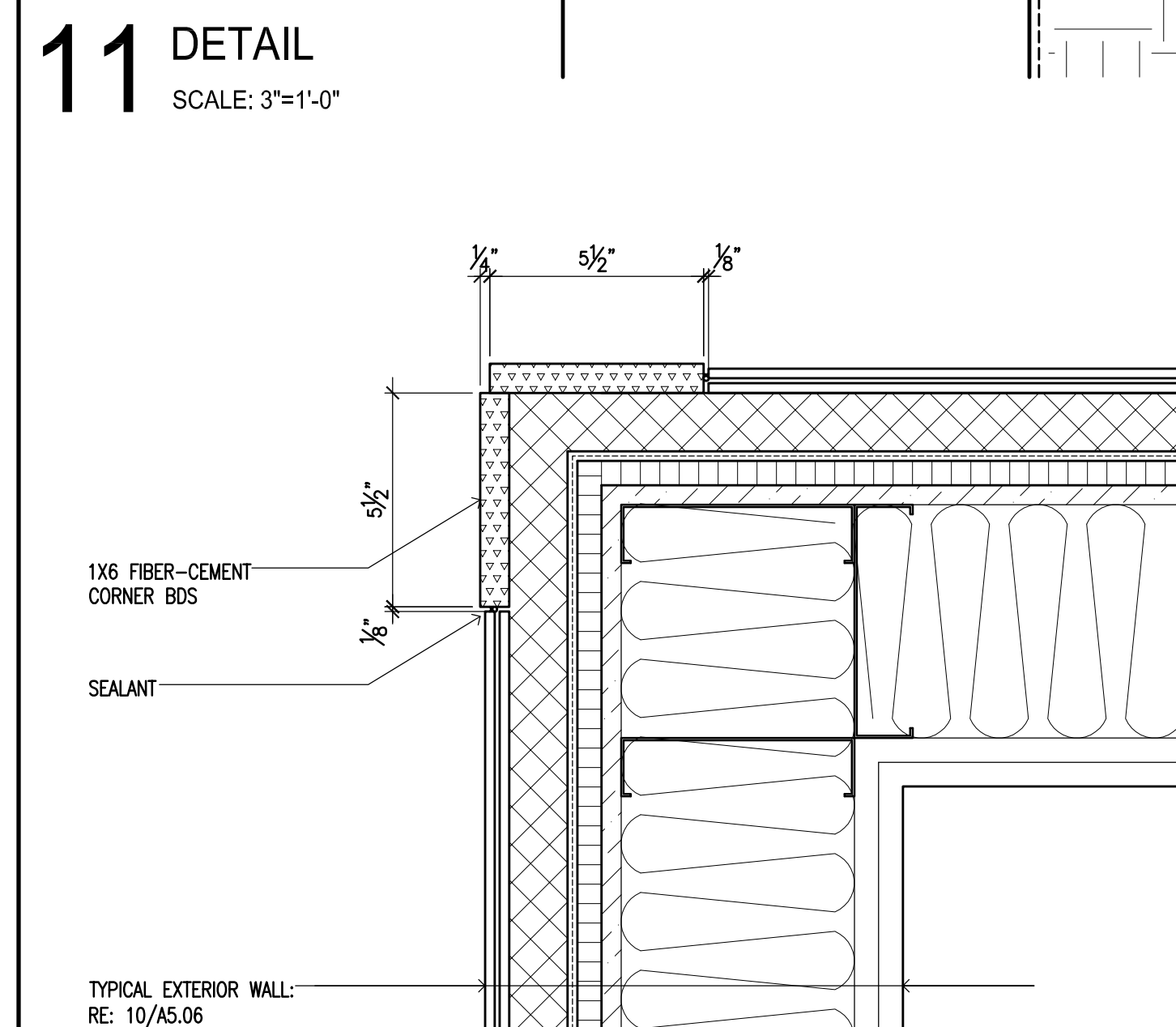
12 DETAIL
SCALE: 3"=1'-0"



13 DETAIL
SCALE: 3"=1'-0"



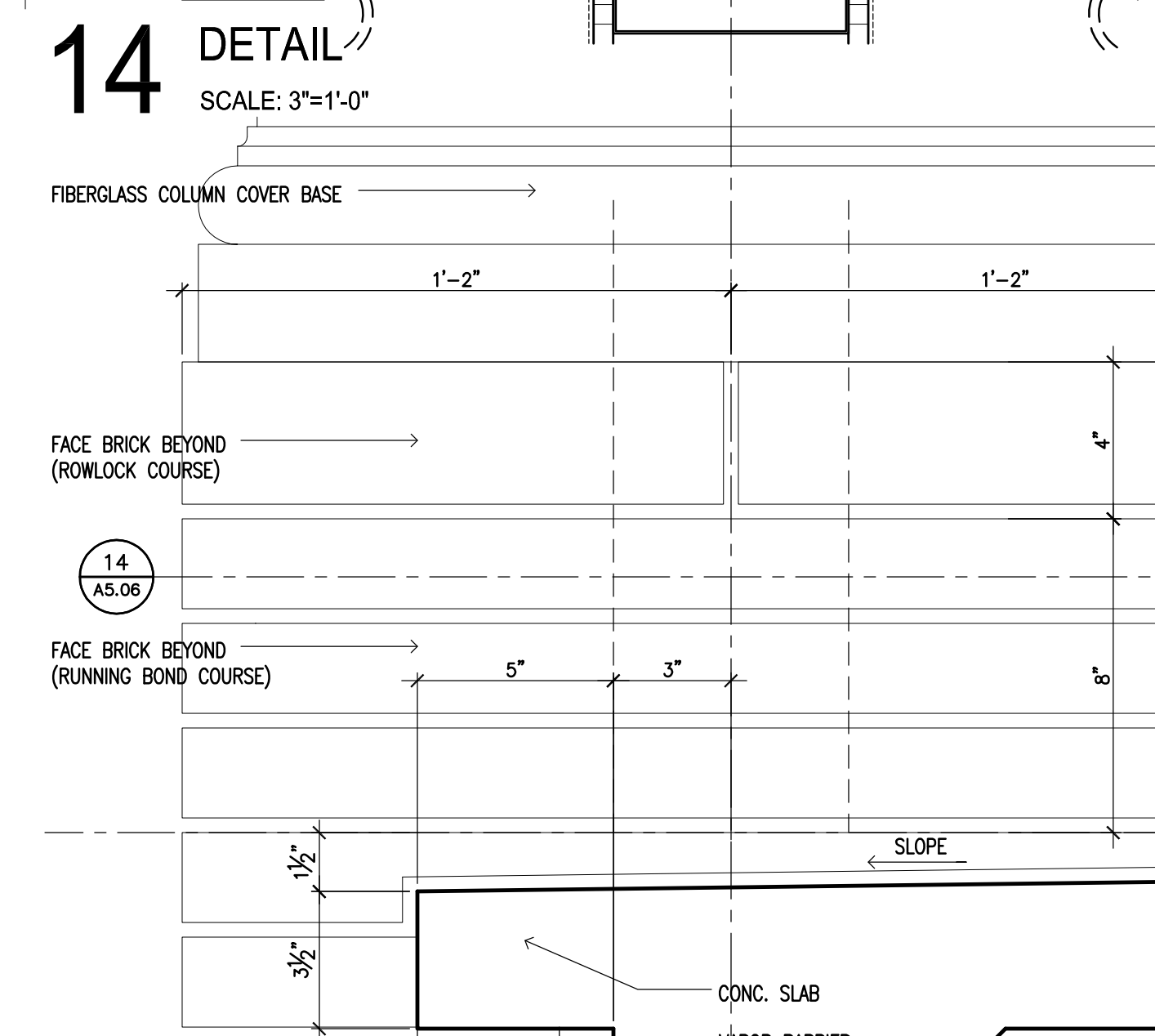
14 DETAIL
SCALE: 3"=1'-0"



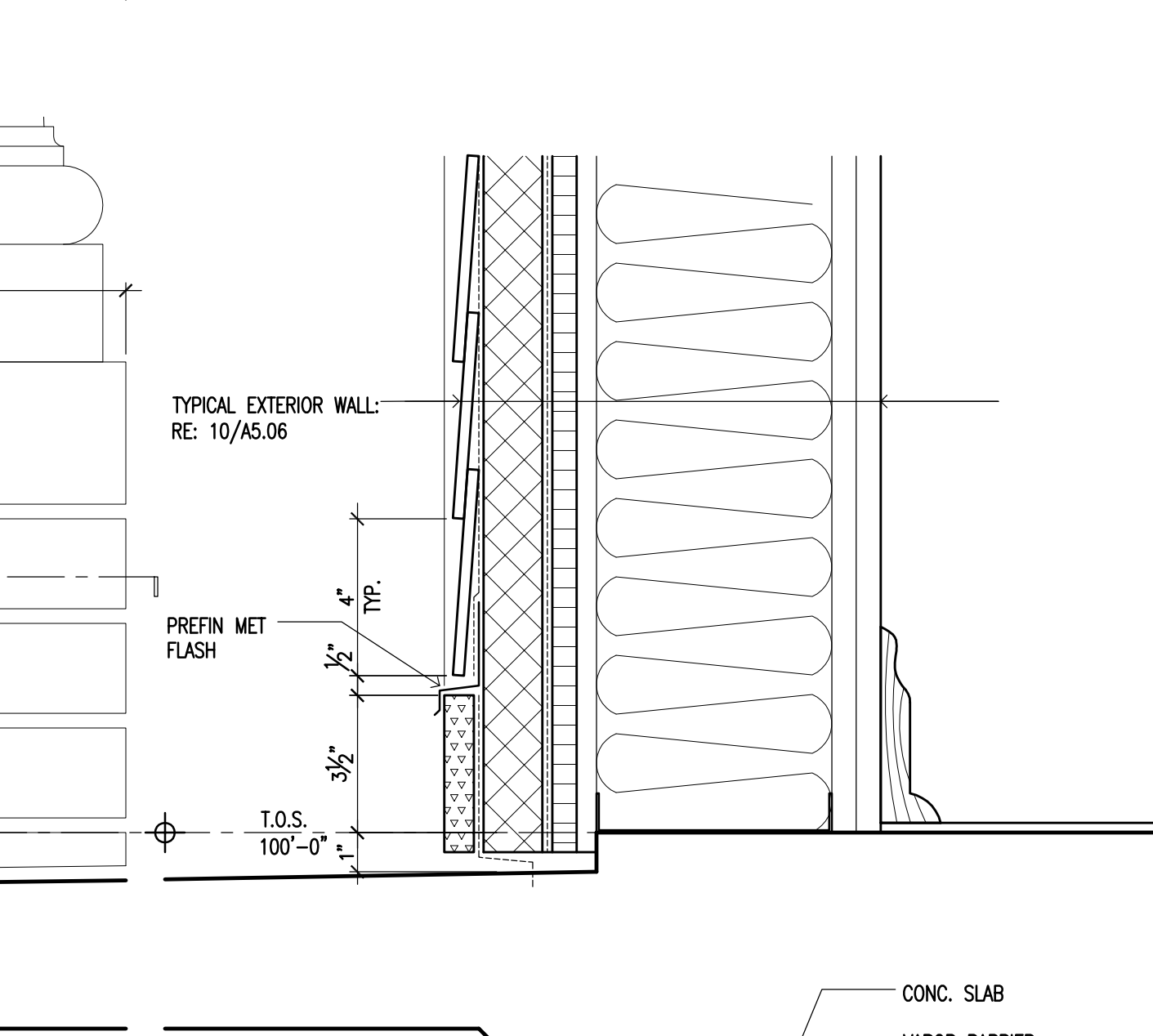
16 DETAIL
SCALE: 3"=1'-0"



17 DETAIL
SCALE: 3"=1'-0"



19 DETAIL
SCALE: 3"=1'-0"



20 DETAIL
SCALE: 3"=1'-0"

ISSUES

NO.	DATE	DESCRIPTION
1/27/2017	50% CD REVIEW	
3/6/2017	ISSUED FOR PERMIT	
6/30/2017	100% CD REVIEW	
7/14/2017	ISSUED FOR PERMIT	

REVISIONS

NO.	DATE	DESCRIPTION
10/20/2017	PERMIT COMMENTS	



**ANNUNCIATION
CATHOLIC CHURCH
FOLEY HOUSE RENOVATION
RECTORY AND RESTROOM
ADDITION**

**SHEET TITLE
EXTERIOR DETAILS
RECTORY**

SHEET NUMBER
A5.06

ZCA PROJECT # 1085602

© 2014 Ziegler Cooper Architects
Architect shall own the copyright in all drawings prepared and developed
for the project and the drawings shall remain the property of Ziegler Cooper Architects.