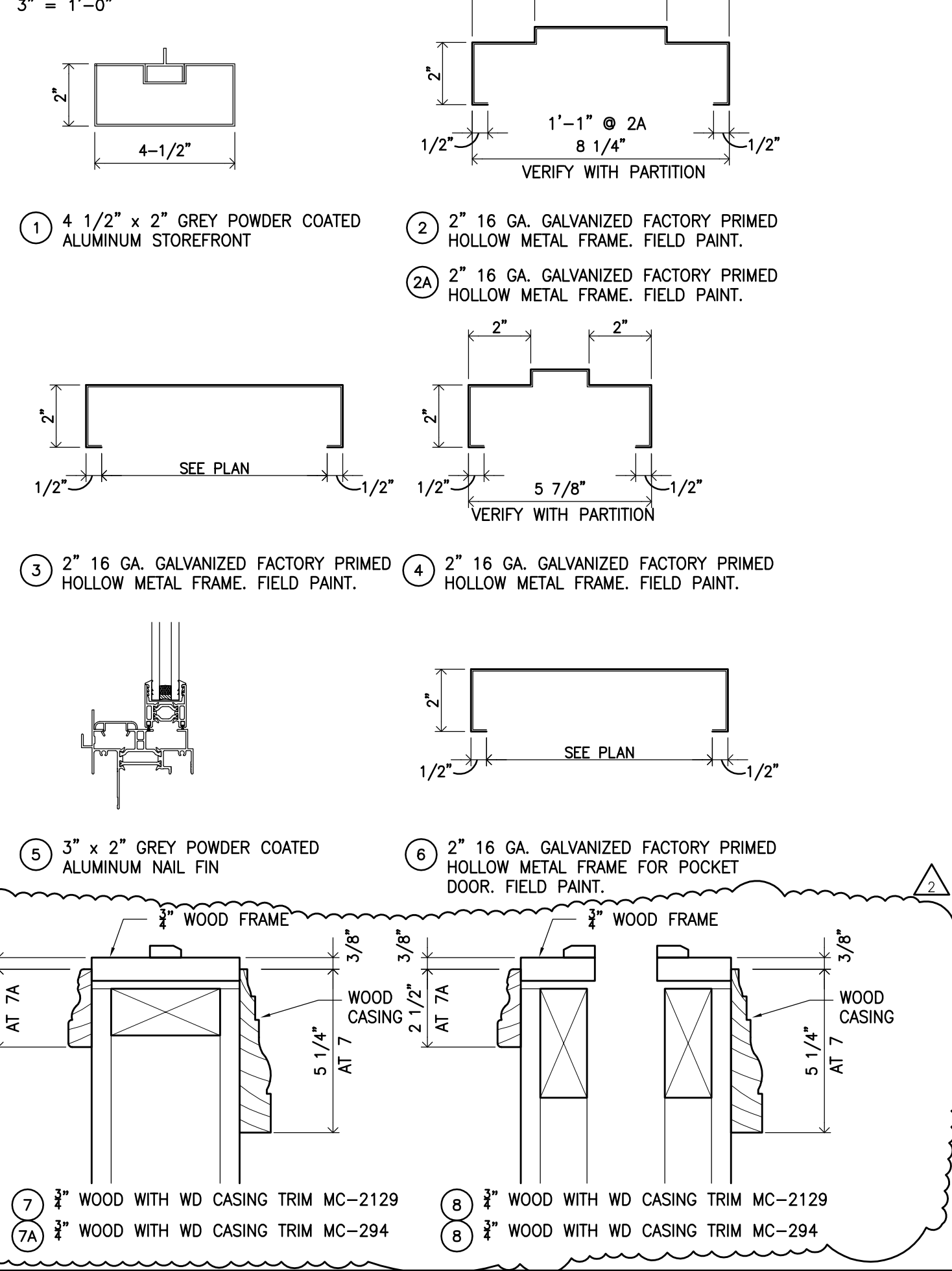


DOOR SCHEDULE REMARKS

- OWNER FURNISHED SALVAGED DOORS AND FRAMES. REPAIR AND REFINISH TO MATCH ADJACENT NEW INSTALLATIONS.
- TRANSOM-WINDOW TYPE R
- 1 HR FIRE RATED
- 3 HR FIRE RATED

FRAME TYPES



FIELD VERIFY DIMENSIONS DOOR SCHEDULE											
DOOR NO	ROOM	DOOR TYPE	DOOR SIZE		FRAME TYPE	HEAD	JAMB	JAMB	SILL	HARDWARE SET	REMARKS
100A	CORRIDOR	A	3'-0"	6'-8"	2A	10/AS.05	14/AS.05		20/AS.05	01	
100B	CORRIDOR	A	3'-0"	6'-8"	2A	10/AS.05	14/AS.05		20/AS.05	09	
101	STORAGE	A	3'-0"	6'-8"	2A	10/AS.05	14SM/AS.05		20/AS.05	13	
102	WOMEN	B	3'-0"	6'-8"	4	1/AS.01	6/AS.01			14	
103	BRIDES	B	3'-0"	6'-8"	4	1/AS.01	6/AS.01			13	
104	BRIDES	B	3'-0"	6'-8"	4	1/AS.01	6/AS.01			03	
105	JANITOR	B	3'-0"	6'-8"	4	1/AS.01	6/AS.01			06	
106	MEN	B	3'-0"	6'-8"	4	1/AS.01	6/AS.01			14	
R112	CHAPEL	A	3'-0"	6'-8"	2				20/AS.05	09	
R113	CHAPEL	H	3'-9"	PR*	6'-8"	1	12/AS.01	17/AS.01			
R114	SANCTUARY	J	3'-0"	7'-0"	2	7/AS.02				02	
107	FOYER	CS	3'-0"	6'-8"	2A	3/AS.07	8/AS.07		13/AS.07	08	
108	V. SACRISTY	CS	3'-0"	6'-8"	2A	14/AS.07	9/AS.07		14/AS.07	09	
109	CLOSET	ES	5'-6"	PR	7'-0"	7	1/AS.01	6/AS.01		19	
109A	LIVING	-	3'-10"	7'-0"	7	1/AS.01	6/AS.01			22	
109B	LIVING	-	3'-10"	7'-0"	7	1/AS.01	6/AS.01			22	
110	RESTROOM	ES	3'-0"	6'-8"	7A	14/AS.01	15/AS.01			17	
111	DINING	GS	6'-6"	PR	7'-0"	8	2/AS.01	7/AS.01		20	
112	KITCHEN	FS	3'-0"	7'-0"	7	11/AS.01	16/AS.01			15	
113	KITCHEN	ES	3'-0"	6'-8"	7A	14/AS.01	15/AS.01			16	
114	PANTRY	ES	3'-0"	6'-8"	7A	14/AS.01	15/AS.01			18	
115	V. SACRISTY	ES	3'-0"	6'-8"	7A	14/AS.01	15/AS.01			12	
116	ELEVATOR	3'-0"	6'-8"	7A	14/AS.01	15/AS.01				3	
117	CORRIDOR	ES	3'-0"	6'-8"	7A	14/AS.01	15/AS.01			04	
118	STORAGE	E	3'-0"	6'-8"	7A	14/AS.01	15/AS.01			18	
119	SUITE	E	3'-0"	6'-8"	7A	14/AS.01	15/AS.01			17	
120	RESTROOM	E	3'-0"	6'-8"	7A	14/AS.01	15/AS.01			17	
R115	SACRISTY	J	3'-0"	6'-8"	2				20/AS.05	11	
R116	NAVE	A	3'-0"	6'-8"	2					2	
201	SUITE	E	3'-0"	6'-8"	7A	14/AS.01	15/AS.01			01	
202	RESTROOM	E	3'-0"	6'-8"	7A	14/AS.01	15/AS.01			17	
203	RESTROOM	E	3'-0"	6'-8"	7A	14/AS.01	15/AS.01			17	
204	STORAGE	E	3'-0"	6'-8"	7A	14/AS.01	15/AS.01			16	
204A	ELEVATOR	E	3'-0"	6'-8"	7A	14/AS.01	15/AS.01			3	
205	EXERCISE	E	3'-0"	6'-8"	7A	14/AS.01	15/AS.01			16	
206	RESTROOM	E	3'-0"	6'-8"	8A	2/AS.01	7/AS.01			21	
207	CLOSET	E	3'-0"	6'-8"	8A	2/AS.01	7/AS.01			21	
208	LAUNDRY	E	3'-0"	6'-8"	7A	14/AS.01	15/AS.01			19	
209	STUDY	E	3'-0"	6'-8"	7A	14/AS.01	15/AS.01			17	
210	BEDROOM	E	3'-0"	6'-8"	7A	14/AS.01	15/AS.01			17	
211	STUDY	E	6'-0"	PR	6'-8"	8A	2/AS.01	7/AS.01		20	
R100	VESTIBULE	C	3'-0"	7'-0"	7	5/AS.04	10/AS.04		15/AS.04	09	
R101	FOYER	C	3'-0"	7'-0"	7	5/AS.04	10/AS.04		15/AS.04	09	
R102	RECEPTION	E	3'-0"	7'-0"	7	5/AS.02	10/AS.02			12	
R102A	VESTIBULE	E	4'-0"	PR	7'-0"	7	5/AS.02	10/AS.02		19	
R103	CLASSROOM	E	6'-0"	PR	7'-0"	8	4/AS.02	9/AS.02		20	
R104	CLASSROOM	E	6'-0"	PR	7'-0"	8	6/AS.02	3/AS.02		20	
R105	CLASSROOM	E	6'-0"	PR	7'-0"	8	6/AS.02	3/AS.02		20	
R106	FOYER	E	3'-0"	7'-0"	7	SSM/AS.02	10SM/AS.02			12	
R107	CLASSROOM	E	3'-0"	7'-0"	7	5/AS.02	10/AS.02			05	
R108	RESTROOM	E	3'-0"	7'-0"	7	5/AS.02	10/AS.02			03	
R109	STORAGE	E	3'-0"	4'-0"	7	5/AS.02	10/AS.02			07	
R110	JANITOR	E	2'-8"	7'-0"	8	4/AS.02	10/AS.02			26	
R111	RECEPTION	E	5'-0"	7'-0"	8	4/AS.02	9/AS.02			01	
R200	PASTOR	E	3'-0"	7'-0"	7	5/AS.02	10/AS.02			04	
R202	OFFICE	E	3'-0"	7'-0"	7	5/AS.02	10/AS.02			04	
R203	CONFERENCE	E	3'-0"	7'-0"	7	5/AS.02	10/AS.02			04	
R204	RESTROOM	E	3'-0"	7'-0"	7	5/AS.02	10/AS.02			03	
R205	OFFICE	E	3'-0"	7'-0"	7	5/AS.02	10/AS.02			05	
R206	CORRIDOR	C	3'-0"	7'-0"	7	5/AS.04	10/AS.04		15/AS.04	09	
R207	CORRIDOR	E	4'-0"	PR	7'-0"	7	5/AS.02	10/AS.02		18	

FINISH LEGEND

- FLOORS
- F1 CERAMIC TILE 24" X 24" TRINITY: VENETIAN - CALCESTRUZZO MATTE
 - F2 CERAMIC TILE 12" X 12" DAL-ILE: ENGLISH GREY
 - F3 CERAMIC TILE 6" X 6" TRINITY: RENAISSANCE - CALCATTA MATTE
 - F4 SEALED CONCRETE
 - F5 NOT USED
 - F6 ENGINEERED HARDWOOD FLOORING 648 PLANK MARK: LIVING LOCAL COLLECTION COLOR: SUEDE 317
 - F7 LUXURY VINYL TILE SHARDON MARK: LIVING LOCAL COLLECTION COLOR: FALL EDITION Q3 MAPLE HARVEST
- BASE
- B1 CERAMIC TILE BASE 4" X 24" TRINITY: VENETIAN - CALCESTRUZZO MATTE
 - B2 CERAMIC TILE BASE 4" X 24" LANKA: PALAZZO-POLISHED
 - B3 7/8" STAINED HARDWOOD BASE
 - B4 3"-0" PAINTED WOOD WANGCOT
 - B5 3"-0" STAINED HARDWOOD WANGCOT
 - B6 9/8" PAINTED WOOD BASE
 - B7 9/8" STAINED HARDWOOD BASE
 - B8 4" PAINTED WOOD BASE
- WALLS
- W1 LATEX-ENAMEL PAINTED OVERBOARD
 - W2 LATEX ENAMEL PAINTED W.R. OVERBOARD
 - W3 CERAMIC TILE OVER W.R. OVERBOARD 12" X 24" (STAGGERED) LA NOVA: PALAZZO-POLISHED
 - W4 FRP OVER W.R. OVERBOARD
- REMARKS
- R1 PHENOLIC CORE TOILET PARTITIONS W/ MILSWART CLASSIC LINEN 4943-38
 - R2 SOLID SURFACE (QUARTZ) WILSONART POMPEI 01007
 - R3 3/8" X 2" MOSAIC TILE ABOVE COUNTER: CONCEPT SURFACES WITABINO COLLECTION SERIES: PAOLA - WHITE

FINISH SCHEDULE

ROOM NO.	NAME	FLOOR	CEILING	CEILING HEIGHT	WALLS				BASE				REMARKS
					N	E	S	W	N	E	S	W	
100	CORRIDOR	F1	SEE RCP	SEE RCP	W1	W1	W1	W1	B1	B1	B1	B1	
101	WOMEN	F1			W3	W3	W3	W3	B2	B2	B2	B2	R1, R2, R3
102	BRIDES	F1			W1	W1	W1	W1	B3	B3	B3	B3	R2
103	JANITOR	F1			W4	W4	W4	W4	B4	B4	B4	B4	
104	MENS	F1			W3	W3	W3	W3	B2	B2	B2	B2	R1, R2, R3
104A	STORAGE	F1			W2	W2	W2	W2	B8	B8	B8	B8	
R111	DAY CHAPEL / CRY ROOM EXIST.												
105	FOYER	F7			W1	W1	W1	W1	B5	B5	B5	B5	
105A	CLOSET	F7			W1	W1	W1	W1	B3	B3	B3	B3	
106	LIVING	F7			W1	W1	W1	W1	B5	B5	B5	B5	
107	DINING	F7			W1	W1	W1	W1	B5	B5	B5	B5	
108	KITCHEN	F2			W1	W1	W1	W1	B7	B7	B7	B7	R2
109	PANTRY	F2			W1	W1	W1	W1	B7	B7	B7	B7	
110	LAUNDRY	F7			W1	W1	W1	W1	B4	B4	B4	B4	
111	CORRIDOR	F7			W1	W1	W1	W1	B3	B3	B3	B3	
112	RESTROOM	F2			W3	W3	W3	W3	B2	B2	B2	B2	R2
113	V. SACRISTY	F7			W1	W1	W1	W1	B7	B7	B7	B7	R2
114	CORRIDOR	F7			W1	W1	W1	W1	B4	B4	B4	B4	
115	STORAGE	F7			W1	W1	W1	W1	B6	B6	B6	B6	
116	SUITE	F7			W1	W1	W1	W1	B4	B4	B4	B4	
117	RESTROOM	F2			W3	W3	W3	W3	B2	B2	B2	B2	R2
118	STAIR	F7			W1	W1	W1	W1	B4	B4	B4	B4	
200	CORRIDOR	F7			W1	W1	W1	W1	B4	B4	B4	B4	
201	SUITE	F7			W1	W1	W1	W1	B4	B4	B4	B4	
202	RESTROOM	F2			W3	W3	W3	W3	B2	B2	B2	B2	R2
203	EXERCISE	F7			W1	W1	W1	W1	B6	B6	B6	B6	
204	STORAGE	F7			W1	W1	W1	W1	B6	B6	B6	B6	
205	LAUNDRY	F7			W1	W1	W1	W1	B8	B8	B8	B8	
206	RESTROOM	F2			W3	W3	W3	W3	B2	B2	B2	B2	R2
207	STUDY	F7			W1	W1	W1	W1	B4	B4	B4	B4	
208	BEDROOM	F7			W1	W1	W1	W1	B4	B4	B4	B4	
210	CLOSET	F7			W1	W1	W1	W1	B6	B6	B6	B6	
R100	VESTIBULE	F7			W1	W1	W1	W1	B6	B6	B6	B6	
R101	RECEPTION	F7			W1	W1	W1	W1	B6	B6	B6	B6	R2
R102	CLASSROOM	F6			W1	W1	W1	W1	B6	B6	B6	B6	
R103	FOYER	F6			W1	W1	W1	W1	B6	B6	B6	B6	
R104	CLASSROOM	F6			W1	W1	W1	W1	B6	B6	B6	B6	
R105	CORRIDOR	F7			W1	W1	W1	W1	B4	B4	B4	B4	
R106	CLASSROOM	F7			W1	W1	W1	W1	B6	B6	B6	B6	
R107	RESTROOM	F3			W3	W3	W3	W3	B2	B2	B2	B2	R2
R108	JANITOR	F7			W1	W1	W1	W1	B6	B6	B6	B6	
R109	STORAGE	F7			W1	W1	W1	W1	B6	B6	B6	B6	
R110	CLOSET	F7			W1	W1	W1	W1	B6	B6	B6	B6	
R2													